



Threshold Plates

RPI09 Si



M 200°C



The RPI09 Si is weather proof threshold plate seal suited to outward opening broad butt hinged doors. It is ideal for use with a panic type exit device (by others).

For acoustic applications the void under the threshold should be filled with sound foam or other suitable material (by others).

Min/Max Gap Compression of seal 0mm/2mm.

Location

Door sills. Outward opening doors (Broad Butt hinges recommended)

Seal Sizes Available in stock lengths,

Standard Finish Aluminium anodised 25 microns. Satin Clear (Silver) or Bronze finish.

Fixing Method

Zinc plated, cross recess head CSK S.T. screws of the appropriate size and colour are supplied, or can be fastened with builders adhesive for concealed fixing (user determined).

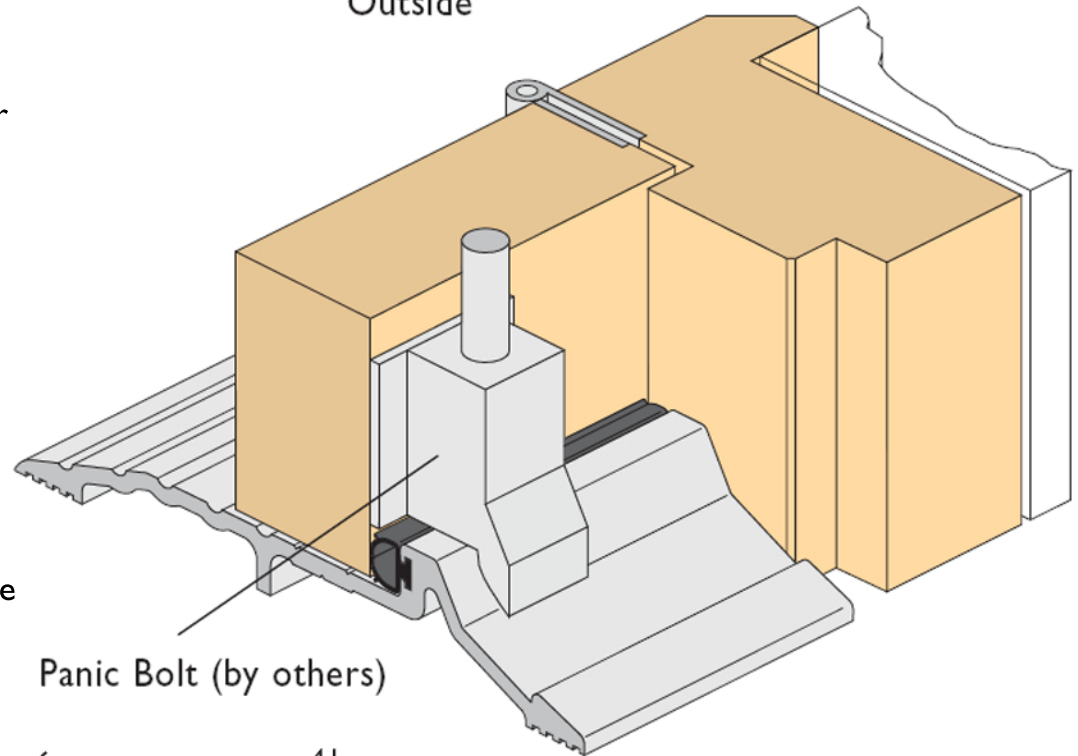
Used in conjunction with RP93Si, astragal seals and suitable panic type exit devices.

Seal Material

Silicon Rubber (SE) (black).

Replacement Seal RP393 Si.

Outside



Panic Bolt (by others)

