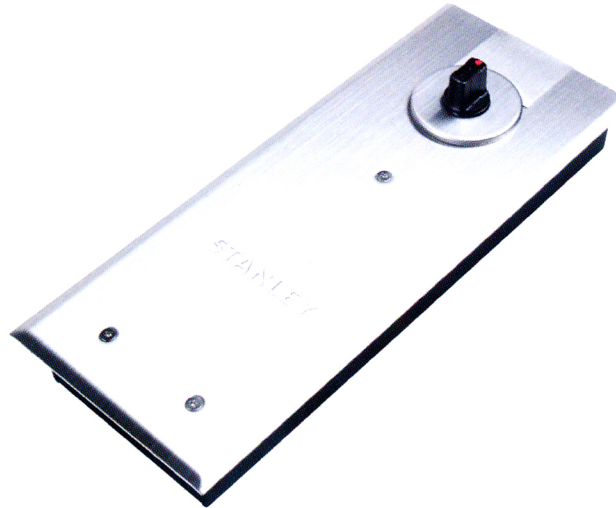


ST-111 FLOOR HINGE



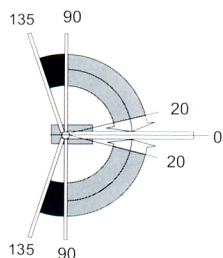
PRODUCT DESCRIPTION

- Stanley ST111 is a universally floor hinge designed for new installation or for retrofitting purposes.
- It's uniquely 1 similar body size but with 3 closing force options, makes on site corrections with ease
- Designed with an standard in-built features that includes double action swinging, variable closing & latching speed, hold open function & a 3 dimensional adjustment (horizontal, vertical & lateral)
- With it specially studied design, the ST111 floor hinge provides a wider opening angle of 135 degrees
- Stanley ST111 is tested to 500,000 cycles and conforms to EN1154

PRODUCT TECHNICAL SPECIFICATION

Model	ST-111		
Testing & Conformity	EN1154		
Closing force [Nm]	15	20	25
Max. door width [mm]	850	950	1100
Max. door weight [kg]	80	100	120
Adjustable closing speed via valve	90°~20°		
Adjustable Latching speed via valve	20°~0°		
Back check (BC)	NO		
Delayed Closing Action (DA)	NO		
Closing force adjustment	NO		
Non-handed version to cover complete range	YES		
Max. door opening angle	135°		
Overall Length [mm]	319		
Overall Width [mm]	130		
Overall Height [mm]	42		
Hold Open (°)	90°		
Horizontal Adjustment	YES		
Vertical Adjustment	YES		
Lateral Adjustment	YES		
Fixed Spindle[mm]	10		
Interchangeable Spindles[mm]	NO		

STANDARD FUNCTIONS



- Function
- (1) Closed at 0°
 - (2) Holding at 90°
 - (3) 0°~90° back to 0° automatically
 - (4) Buffer Zone: 90°~135°
 - (5) 2 section speed adjustment valve:
closing speed adjustment valve:90°~20°
latching speed adjustment valve:20°~0°

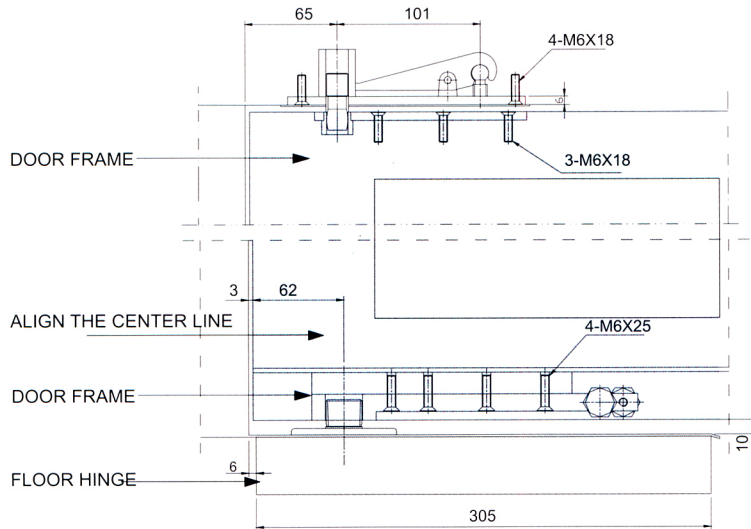
- Accessories:
- Double action accessories
 - Left Single Action accessories
 - Right Single Action accessories

- Finishes:
- stainless steel

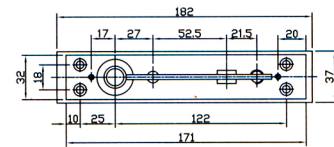
- Buffer Zone
 Back to Closed Position Area

FLOOR HINGE 05/06

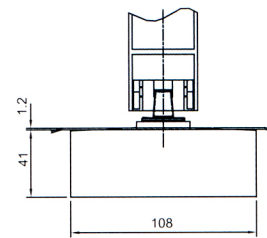
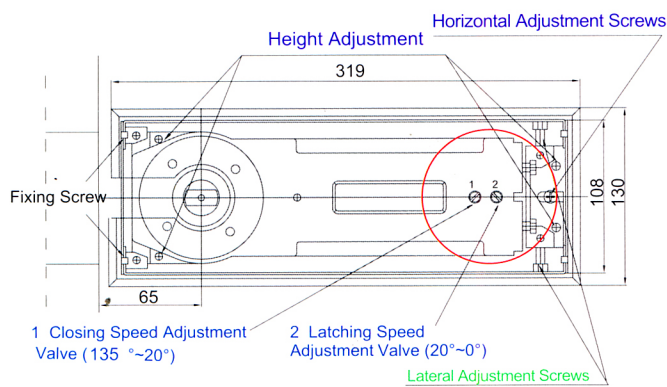
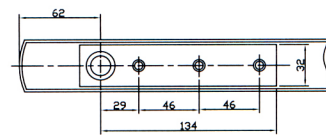
INSTALLATION GUIDE



Top Pivot (top jamb side)



Top Pivot (door side)



Bottom Arm (Door side)

