



Door Frame or Perimeter Seals

RP56



A finned sweep seal that is designed to fit into a groove around the door edge or frame to reduce noise and air movement. This unobtrusive seal does not restrict the door's operation. Before specifying, check latching requirements.

Location Around Internal doors.

Min/Max Gap 2 - 4mm.

Seal Sizes Available in stock lengths.

Fixing Method 10mm x 4mm groove with adhesive.

Seal Material

PVC rigid holder (bronze) Flexible PVC fins (black).

Used in Conjunction

Raven automatic door bottom seals. brush strip seals.

Approvals

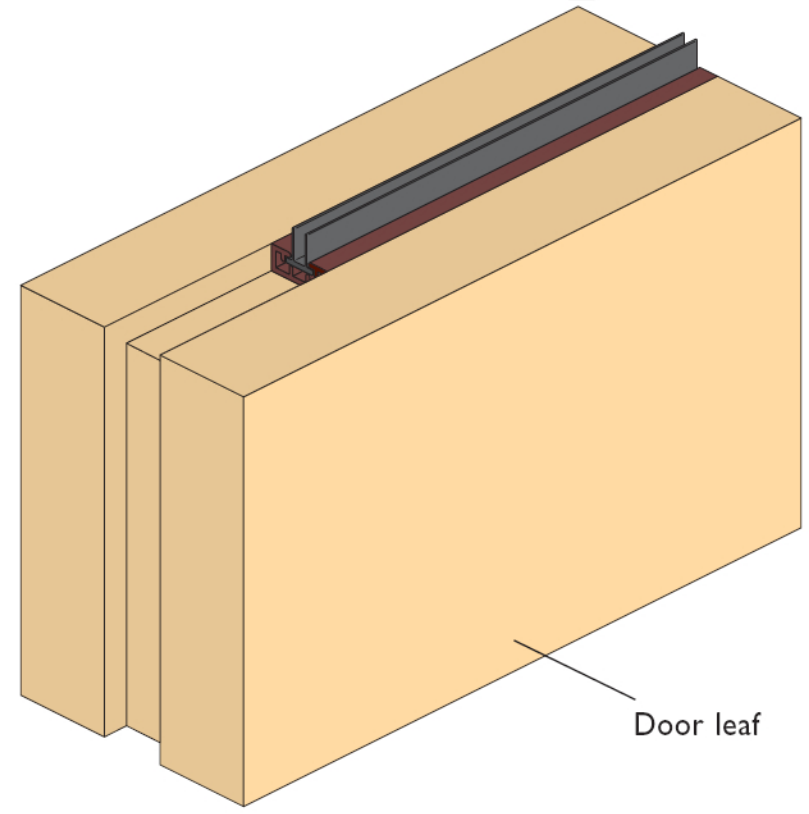
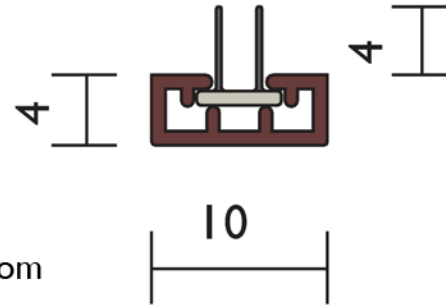
Fire & Smoke

AUS/NZ: Conforms to BCA Spec. C3.4. Tested to AS 1530.4 & AS/NZS 1905.1.

UK/EU: Conforms to Approved Document B. Tests above are similar to BS EN 1634.1, BS 476 Part 20 & 22

Acoustic AUS/NZ: Conforms to BCA Sec. F5.5 Tested to AS 1191, AS 1045, AS/NZS 1276.

UK/EU: Conforms to Approved Document E. Tested to BS EN ISO 140.3 (similar to BS EN ISO 717.1, BS 2750, BS 5821).



Door leaf