

**RP99 Si (REPLACES RP99)**



RP99 Si is a heavy duty automatic door bottom seal which is spring loaded to lift clear of the floor as soon as the door leaf is opened by a few millimetres. RP99 Si has an extruded silicon component for medium temperature smoke and is an acoustically designed seal for face mounted, semi morticed or fully morticed applications. The door bottom seal is operated automatically by pressure against the door jamb on its adjustment block (strike).

RP99 Si seals when the door closes and retracts automatically when the door is opened,

**Location** Solid core single and double broad butt hinged doors. Face fix, fully and semi morticed applications, Minimum door thickness 40mm recommended.

**Min/Max Gap** 1mm/19mm.

**Seal Sizes**

1220mm, 1070mm, 920mm, 820mm, 720mm, 600mm, 380mm to 295mm (min).  
Seals cut back to exact size.

**Standard Finish**

Aluminium anodised 15 microns, Satin Clear (Silver) or Bronze finish.

P.E. Paint (extra cost). Is a two pack polyester enamel colour match finish which is equal to or exceeds powdercoat finish.

**Note:** Face mount aluminium angle and all escutcheon plates included.

**Replacement Seal** RP347 Si.

**Seal Material** Silicon Rubber (SE) (Charcoal colour)

**Approvals**

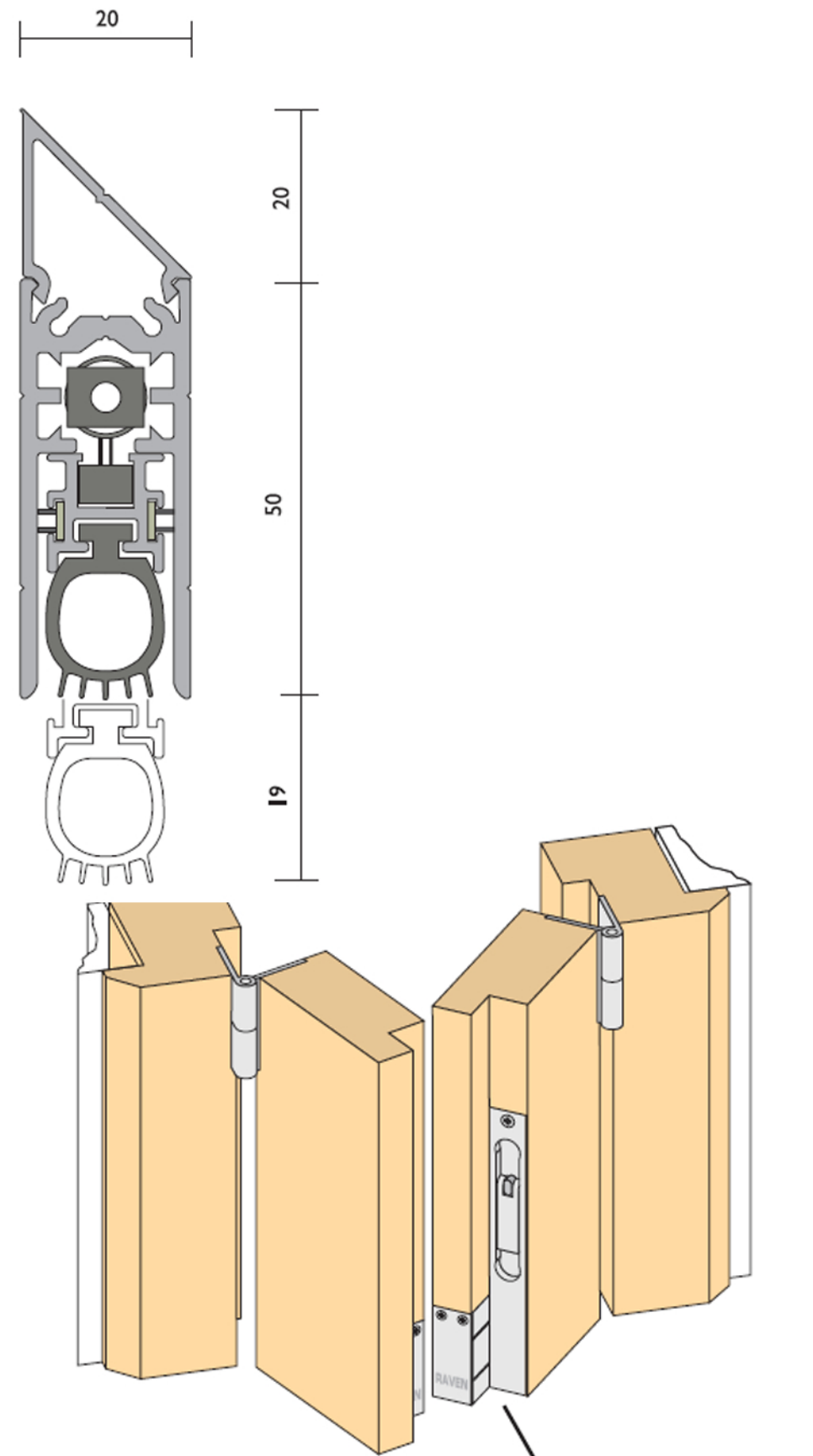
**Acoustic AUS/NZ:** Conforms to BCA Sec. F5.5 Tested to AS 1191, AS 1045, AS/NZS 1276.

UK/EU: Conforms to Approved Document E. Tested to BS EN ISO 140.3 (similar to BS EN ISO 717.1, BS 2750, BS 5821).

**Fire & Smoke AUS/NZ:** Conforms to BCA Spec. C3.4. Tested to AS 1530.4, AS/NZS 1905.1 & AS/NZS 1530.7

UK/EU: Conforms to Approved Document B Tested to ISO CD 5925-1 (similar to BS EN 1634.1, BS476 Part 20 & 22, Sec. 31.1).

**Durability** tested to over 1,000,000 operating cycles without failure.



Double Doors with RP99Si Fitted in Semi Morticed Position

