



AMERICA'S NO.1 FAUCET BRAND

Features

With ultra-modern styling, the 90 Degree collection is a study in minimalism. Geometric forms, squared corners and straight lines create an urban focal point for today's contemporary baths.

- Chrome finish is highly reflective for a mirror-like look that works with any decorating style
- Lever handles make it easy to adjust the water
- Equipped with the PosiTemp® pressure-balancing control valve to help maintain water temperature in the shower
- Showerhead sold separately
- Built on the Moen M-PACT common valve system, allowing you to update the faucet style in the future without replacing any plumbing
- Complies with Americans with Disabilities Act (ADA) specifications



90 Degree Chrome
posi-temp® valve trim

Model No: **TS2711**

Basic Specifications

- Ports: Four
- Connection size: 1/2"
- Connection type: CC
- Stops: Included
- Quarter Turn Stops: Included
- Adjustable temp limit stop: Included



Buy it for looks. Buy it for life.®

Specifications

FAUCET DESCRIPTION

- Metal construction with various finishes identified by suffix
- Includes showerhead, arm, flange and diverter spout

OPERATION

- Lever style handle with temperature indicator on the escutcheon
- Handle operates counterclockwise through a 270° arc with off at 6 o'clock and maximum hot at the 9 o'clock position. Shut off in clockwise direction
- Adjustable temperature limit stop to control maximum hot water temperature
- Pressure balancing mechanism maintains selected discharge temperature to $\pm 3.6^\circ\text{F}$ ($\pm 2^\circ\text{C}$)

FLOW

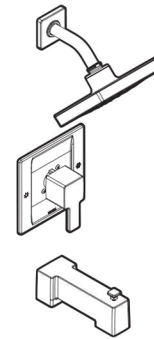
- Showerhead is limited to 2.5 gpm (9.5 L/min) at 80 psi
- EP suffix models are limited to 1.75 gpm (6.6 L/min) at 80 psi
- NH suffix models contain no showerhead

CARTRIDGE

- 1222 cartridge design
- Nonmetallic/nonferrous and stainless steel materials
- Accommodates back to back installations

STANDARDS

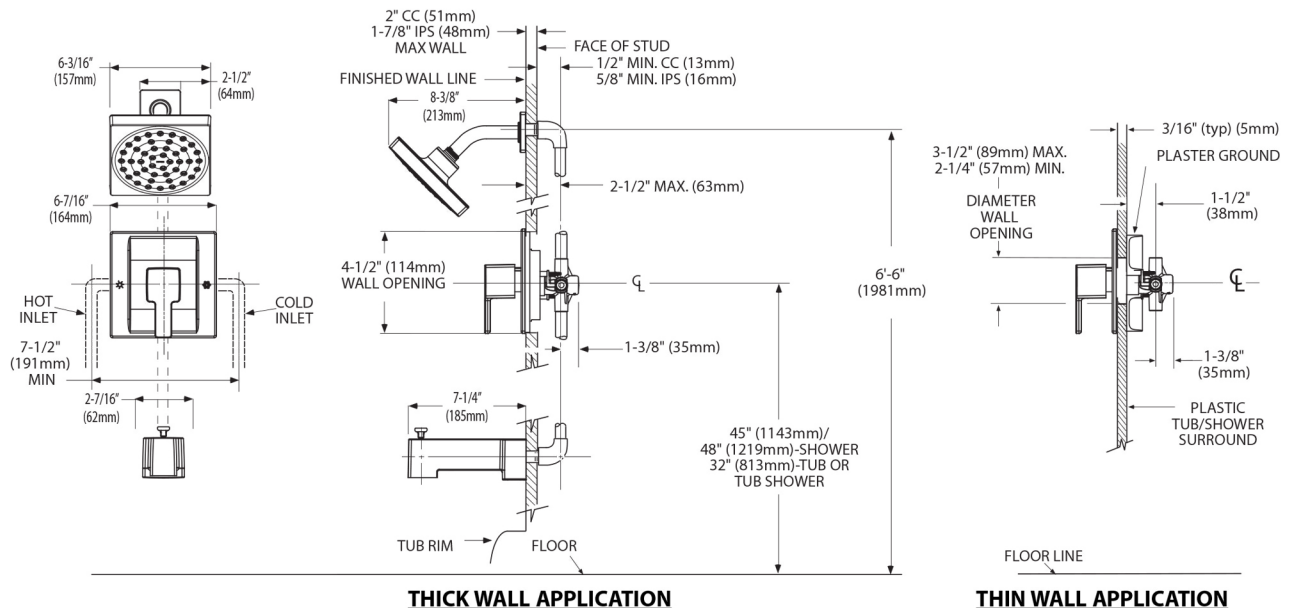
- Third party certified to meet ASME A112.18.1/CSA B125.1 and all applicable requirements referenced therein
- EP suffix models are third party certified to WaterSense®
- **ADA**  for lever handle



90 DEGREE™ POSI-TEMP® Single-Handle Tub/Shower Trim Kit

Model: TS2711 series - valve trim only
 TS2712 series - shower trim only
 TS2713 series - tub/shower trim only

Valves: 62300, 2500 series



CRITICAL DIMENSIONS

(DO NOT SCALE)