



AMERICA'S NO.1 FAUCET BRAND

Features

A mesmerising faucet suite, cascata innovatively pours by tipping the spout like a water pitcher. A faucet valve facilitates direct control that requires no finger strength, making it a pleasure to operate the Cascata. The basin faucet comes with an indu that allows you to present temperature along with providing shower options to choose from, adding to your bliss

- Chrome finish is highly reflective for a mirror-like look that works with any decorating style
- Knob handle for a more conventional look
- Handshower

Basic Specifications

- Connection size: 1/2"
- Mount Type: Two Hole
- Connection type: male
- gpm: 21 l/m @ 0.3 mpa
- Cartridge type: ceramic disc



Two-Handle Wall Mount Shower

Model No: **88132**

DESCRIPTION

- Metal construction with a chrome finish
- R1/2 inlet connections
- Thermostatic valve design can connect with bar shower and handheld shower

OPERATION

- Round style handle; Rotation style spout
- Temperature lever operates through a 270 degree arc with maximum cold at full counterclockwise rotation and maximum hot at full clockwise rotation
- Safety stop preset temperature at 40 degrees calibration
- Safety stop override allows maximum temperature at 60 degrees C
- Factory established temperature range from 15 degrees C to 60 degrees C

FLOW

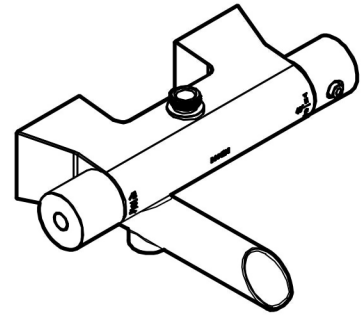
- Flow rate is 0.33L/s minimum under 0.3MPa

CARTRIDGE

- 124590 thermostatic cartridge design with Nonmetallic / non-ferrous material

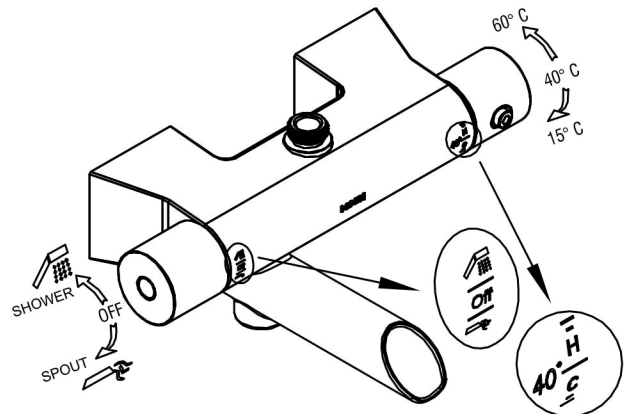
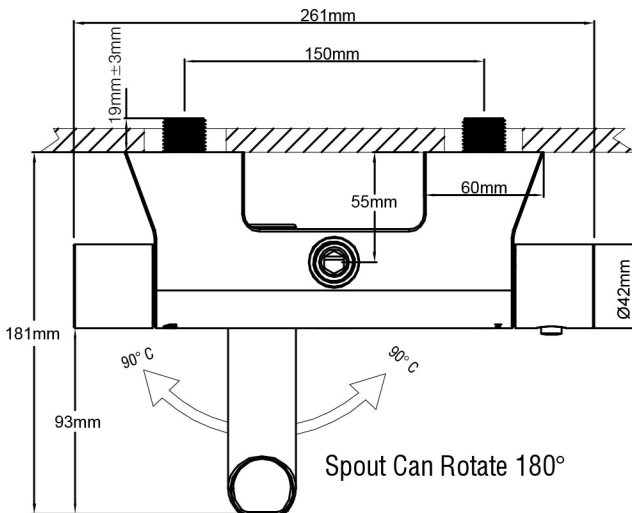
STANDARD

- Designed to meet GB18145-2003 standard



Cascata
Two-Handle Wall Mount Shower

Models: 88132



CRITICAL DIMENSION

(DO NOT SCALE)