



AMERICA'S NO.1 FAUCET BRAND

Features

From finishes that are guaranteed to last a lifetime, to faucets that perfectly balance your water pressure, Moen sets the standard for exceptional beauty and reliable, innovative design.

- Chrome finish is highly reflective for a mirror-like look that works with any decorating style
- One-function handheld shower

Basic Specifications

- Shower head type: handheld shower
- Flow rate is maximum 9.53L/min

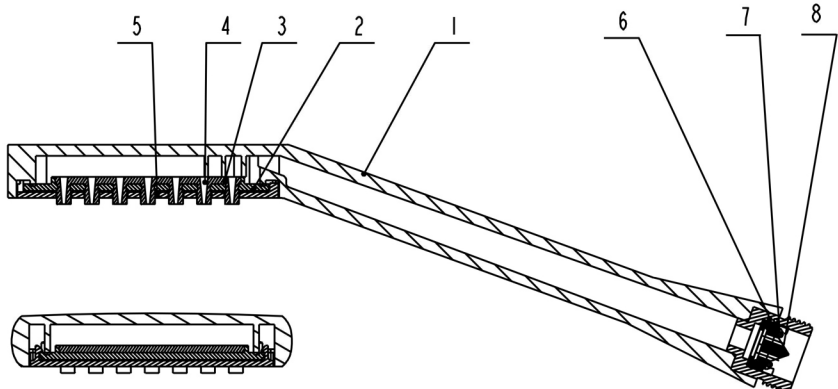
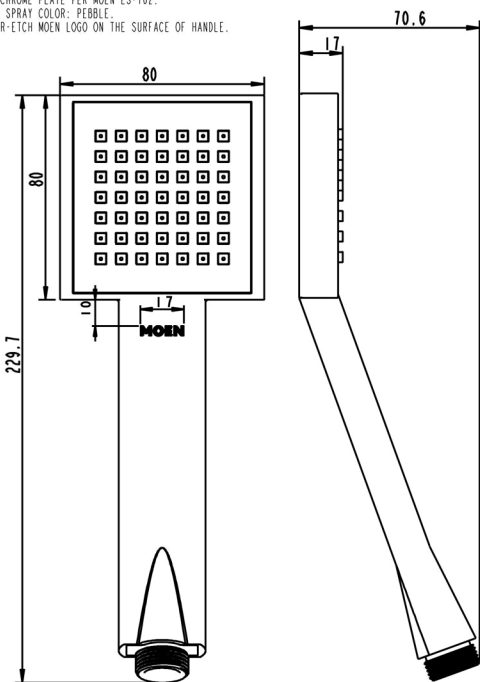


Chrome handheld shower

Model No: **144465**

- NOTES:
1. THE THREAD G1/2 SHOULD BE UP TO THE GB STANDARD.
 2. THE WATER OUT OF SHOWERHEAD, IN ANY MODE, SHOULD BE SMOOTH AND REASONABLY FREE OF OFFSHOOTS AND NO LEAKAGE WHEN PRODUCT OPERATED IN LOW PRESSURE AND HIGH PRESSURE.
 3. ALL CHROME PLATE PER MOEN ES-102.
TPR SPRAY COLOR: PEBBLE.
 4. LASER-ETCH MOEN LOGO ON THE SURFACE OF HANDLE.

B 138460
SHEET 1 OF 1



MOEN

LASER-ETCHED LOGO
PER MOEN LOGO DRAWING L-124400

ITEM	PART NAME	QTY	MATERIAL	NOTE
8	REGULATOR	1	POM M90	BLUE
7	O-RING	1	NBR	
6	ADAPTER	1	ABS	
5	FACEPLATE COVER	1	ABS	CHROME
4	FACEPLATE ASSY	1	ABS+TBR	
3	TPR SPRAY	1	TPR	PEBBLE
2	ABS PLATE	1	ABS	
1	HANDLE	1	ABS	CHROME



AMERICA'S NO.1 FAUCET BRAND

Specifications

DESCRIPTION



- Plastic construction with chrome finish
- G1/2 inlet connections
- Single Functions handheld shower

OPERATION



- Adjustable handle for function shift
- Handheld shower

FLOW

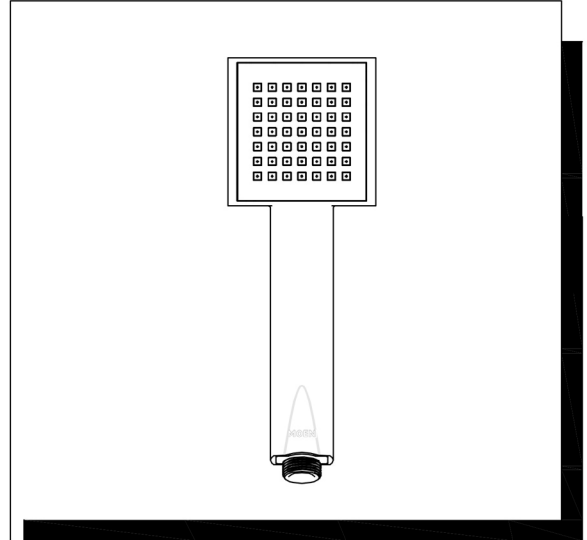


- Flow rate is maximum 9.53L/min

STANDARD

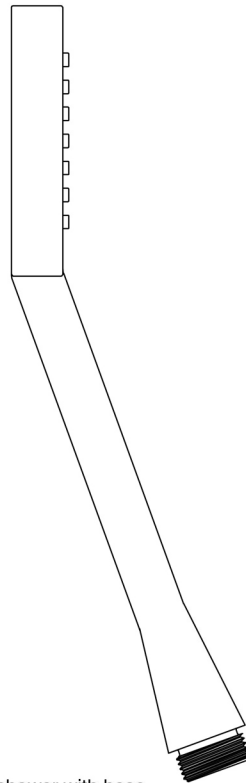


- Designed to meet GB standard



Single Function handheld shower

Models: 144465



Connect the handheld shower with hose then put it into the bracket. Adjust the shower angle.

将花洒与软管连接，然后将其插在花洒支架上，并依据自己要求调整淋浴角度。