



Cascata 88123

Features

A mesmerising faucet suite, cascata innovatively pours by tipping the spout like a water pitcher. A faucet valve facilitates direct control that requires no finger strength, making it a pleasure to operate the Cascata. The basin faucet comes with an indu that allows you to present temperature along with providing shower options to choose from, adding to your bliss

- Chrome finish is highly reflective for a mirror-like look that works with any decorating style
- Low-arc spout design for conventional styling
- One-handle lever handles make it easy to adjust the water
- Single hole mount creates a cleaner look against custom countertops
- Clear laminar stream provides for a beautiful water presentation





AMERICA'S NO.1 FAUCET BRAND

Specifications

DESCRIPTION

- Metal construction with a chrome finish
- R1/2 inlet connections
- Includes 300mm long supply tube

OPERATION

- Round style handle
- Spout rotate control on/off design
- Temperature controlled through 90 degree arc of handle rotate

FLOW

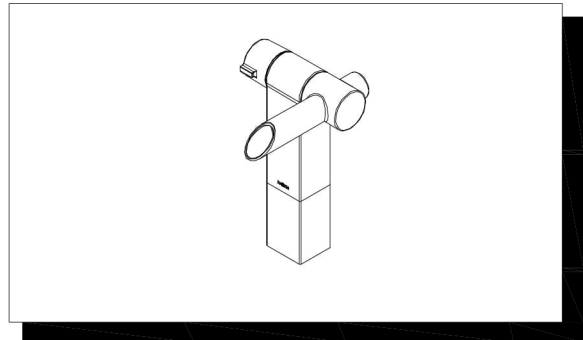
- Flowrate is 0.2L/minimum under 0.3Mpa

CARTRIDGE

- Ceramic 35mm cartridge design
- Nonmetallic / nonferrous and ceramic material

STANDARD

- Designed to meet GB standard



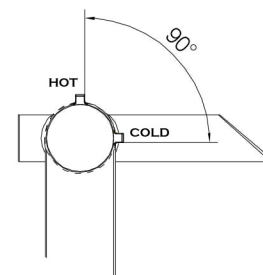
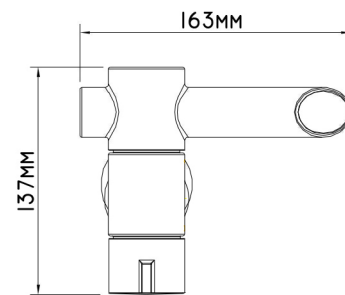
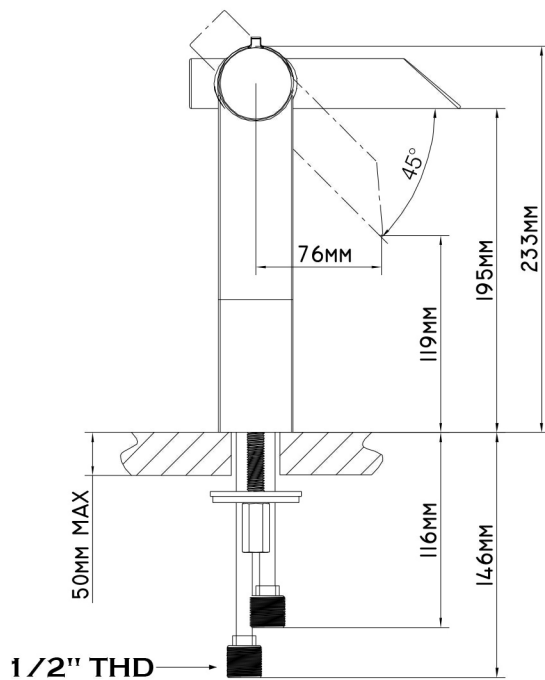
Cascata

Single Mount Single-Handle Lavatory Faucet
(Spout control)

Models: 88123

NOTE: See reverse side
for illustrated parts

NOTE: THIS FAUCET IS DESIGNED TO BE
INSTALLED THRU 30-35mm DIA. HOLE



CRITICAL DIMENSION

(DO NOT SCALE)



AMERICA'S NO.1 FAUCET BRAND

Illustrated Parts

Order by Part Name and Part Number

Cascata		
Single Mount Single-Handle Lavatory Faucet (Spout Control)		
MODEL	HANDLE TYPE	FINISH
88123	Round	Chrome

