



90 Degree 6700

Features

Chrome one-handle low arc bathroom faucet. With ultra-modern styling, the 90 Degree collection is a study in minimalism. Geometric forms, squared corners and straight lines create an urban focal point for today's contemporary baths.

- Chrome finish is highly reflective for a mirror-like look that works with any decorating style
- One-handle lever handles make it easy to adjust the water
- Single hole mount creates a cleaner look against custom countertops
- Complies with Americans with Disabilities Act (ADA) specifications
- Meets epa WaterSense® criteria to conserve water without sacrificing performance
- Meets current legislation, including ab1953 (california) and s152 (vermont)
- Deck plate sold separate





AMERICA'S NO.1 FAUCET BRAND

DESCRIPTION

- Metal construction with chrome plated finish
- Flexible supply lines with 3/8" compression fittings
- Includes metal pop-up waste assembly

OPERATION

- Lever style handle
- Temperature controlled by 100° arc of handle travel


FLOW

- Flow is limited to 1.5 gpm max (5.7L/min) at 60 psi

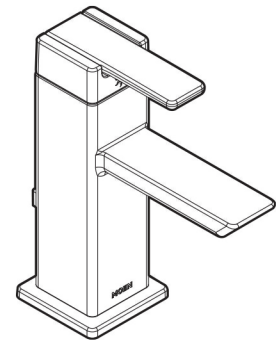
CARTRIDGE

- 1255™ Duralast™ cartridge for Single-Handle Faucets

STANDARDS

- Third party certified to ASME A112.18.1/CSA B125.1, NSF 61/9, ICC A117.1 and all applicable requirements referenced therein
- Third party certified to comply with WaterSense® High Efficiency Bathroom Sink Faucet Specification
- Complies with California Proposition 65 and with the Federal Safe Drinking Water Act
- **ADA**  for lever handle

Specifications

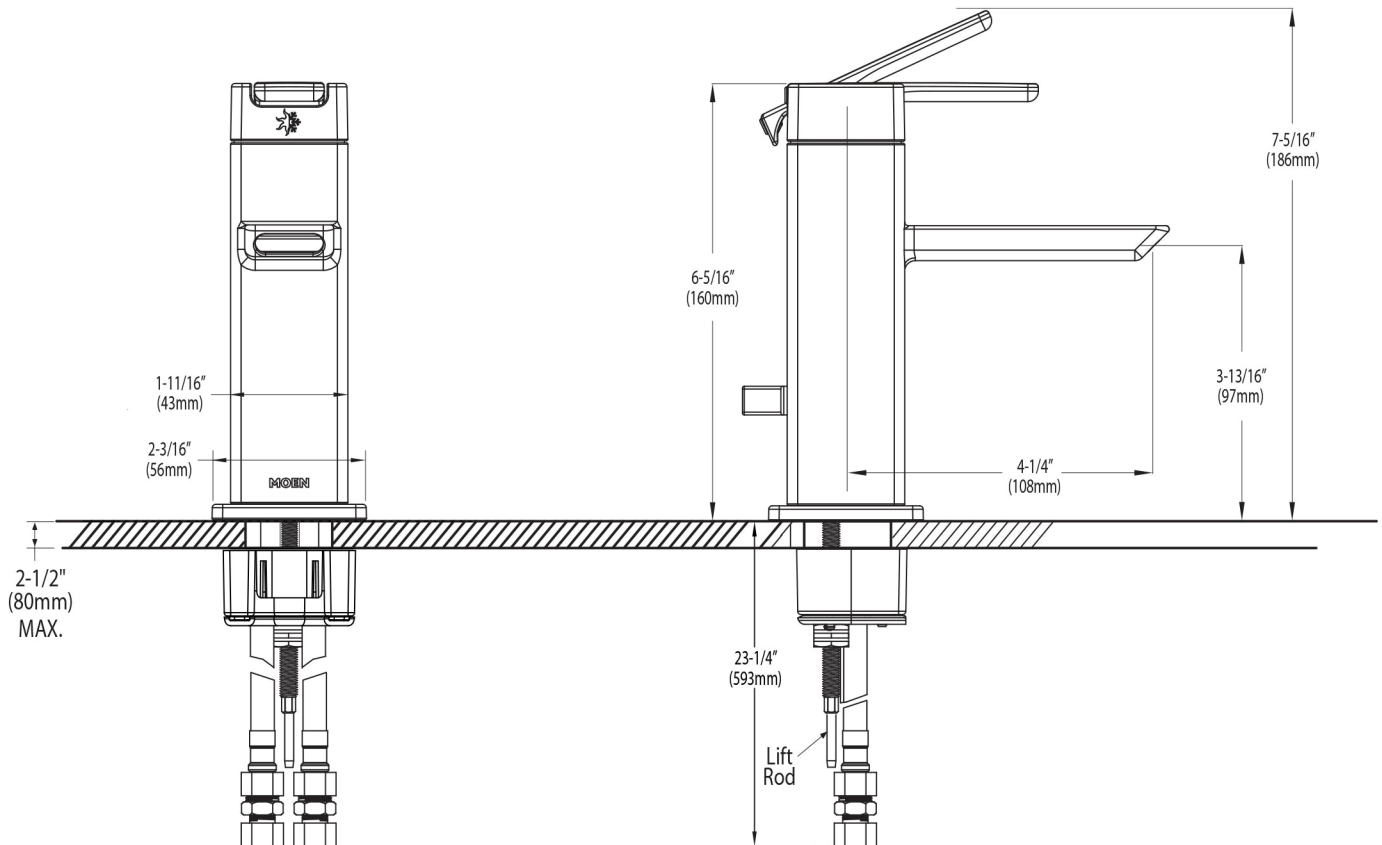


90°™

Single-Handle Lavatory Faucet

Model: 6700

NOTE: THIS FAUCET IS DESIGNED TO BE INSTALLED THRU 1 HOLE, 1-1/8" MIN. DIA.



CRITICAL DIMENSIONS

(DO NOT SCALE)



AMERICA'S NO.1 FAUCET BRAND

Illustrated Parts

Order by Part Number

| 90 DEGREE™ One-Handle Lavatory Faucet | | |
|--|--------|--------|
| MODEL | HANDLE | FINISH |
| 6700 | Lever | Chrome |

