



Mercury 11221

Features

Ingenious design,concisely and tasteful,modernized visual and comfortable experience

- Chrome finish is highly reflective for a mirror-like look that works with any decorating style
- Low-arc spout design for conventional styling
- One-handle lever handles make it easy to adjust the water
- Single hole mount creates a cleaner look against custom countertops
- Aerated flow is ideal for everyday bathroom tasks, like brushing teeth and washing hands.





AMERICA'S NO.1 FAUCET BRAND

Specifications

DESCRIPTION

- Metal construction with a chrome finish
- R1/2 inlet connections
- Includes half-half pop-up type waste assembly
- Includes 400mm long flexible inlet hoses

OPERATION

- Lever style handle
- Pull-on / Push-off
- Temperature controlled through 90 degree arc of handle travel

FLOW

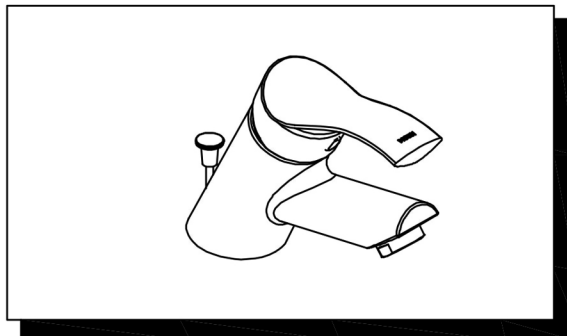
- Flowrate is 0.15L/s maximum under 0.1Mpa

CARTRIDGE

- Ceramic 35mm cartridge design
- Nonmetallic / nonferrous and ceramic material

STANDARD

- Designed to meet GB standard

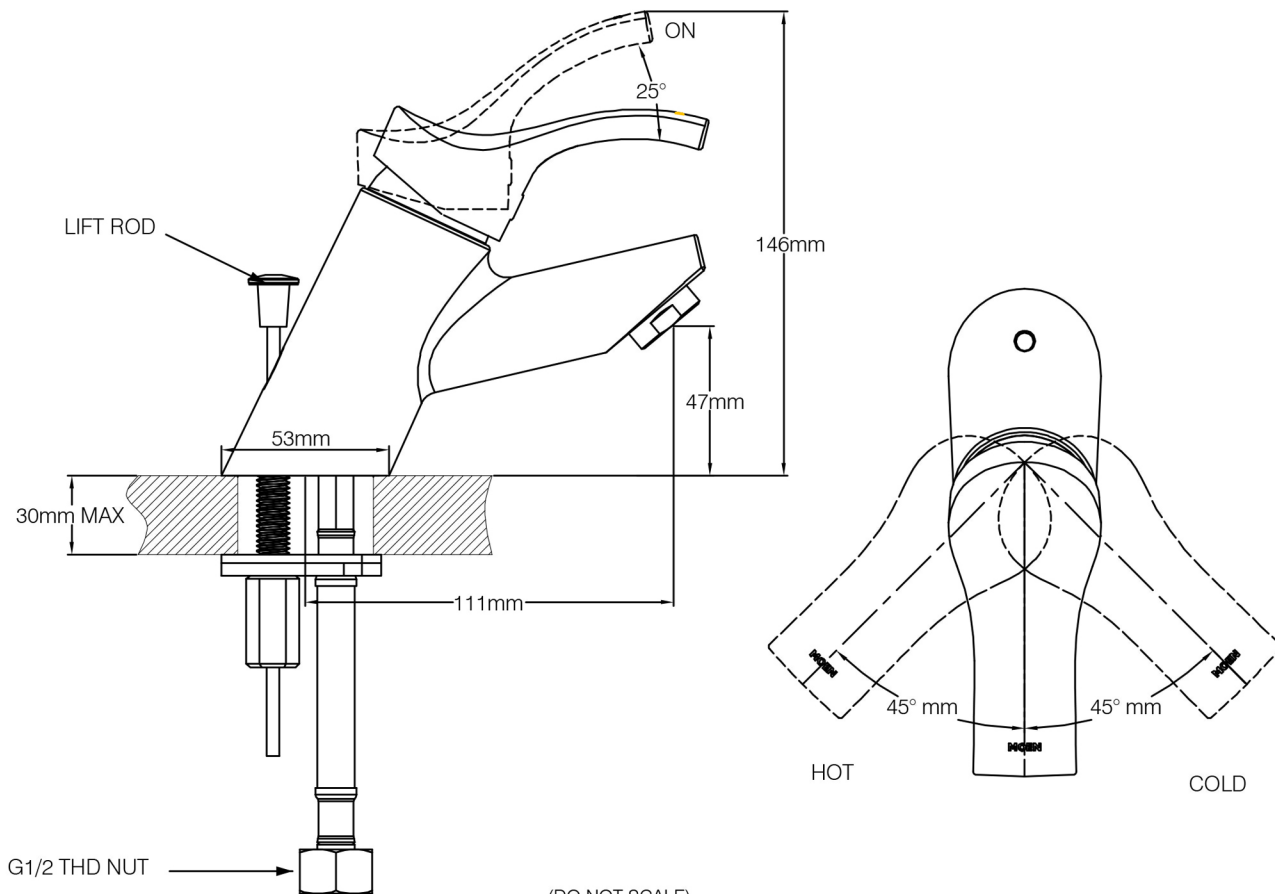


Mercury

Single Mount Single-Handle Lavatory Faucet
With Waster Assembly
Models:11221

NOTE:See reverse side
for illustrated parts

NOTE:THIS FAUCET IS DESIGNED TO BE
INSTALLED THRU 35mm MIN.DIA.HOLE



(DO NOT SCALE)



AMERICA'S NO.1 FAUCET BRAND

Illustrated Parts

■ Order by Part Name and Part Number

MERCURY	
Single Mount, Single-Handle Lavatory Faucet	
<u>MODEL</u>	<u>FINISH</u>
11221	Chrome

