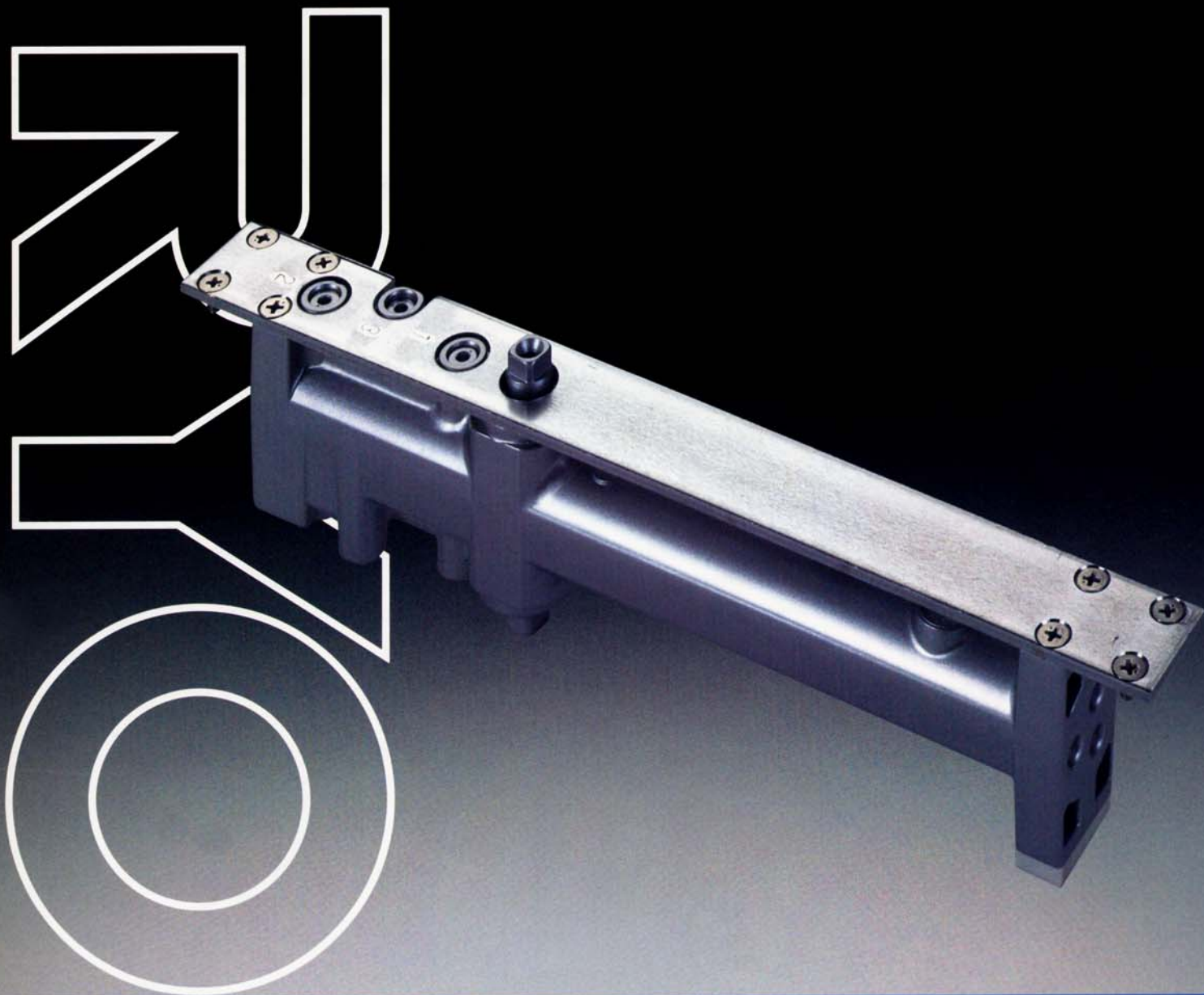


**RYOBI**



**RYOBI CO-50  
CONCEALED  
DOOR CLOSERS**

# RYOBI CONCEALED DOOR

## ■ CO-50 INSTALLATION OPTIONS

In order to ensure total adaptability to the widest range of applications, the concealed series is available with a choice of either standard or top jamb installations. To further enhance the closer's flexibility, options such as hold open and 180 degree door openings are also available.



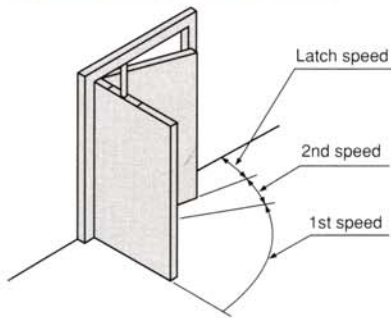
## ■ EXCEPTIONAL PERFORMANCE-EXCEPTIONAL VALUE

Ryobi's technology in high quality die-casting and advanced production methods have been combined to produce a highly competitive range of performance closers. The concealed closer range offers outstanding quality and performance at a very realistic price.

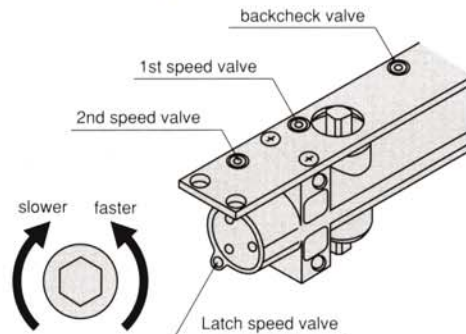
## ■ FULLY HYDRAULIC CONTROLS

Maximum control over the doors closing speed is provided by the easy to operate hydraulic adjustment, while the versatile hydraulic mechanism allows for 1st and 2nd closing, plus a latching speed (as illustrated). This ensures a smooth and independent control over the entire closing cycle. Adjustable hydraulic backcheck is also a significant feature of the CO-55 and 56 closer providing independent control of the opening cycle.

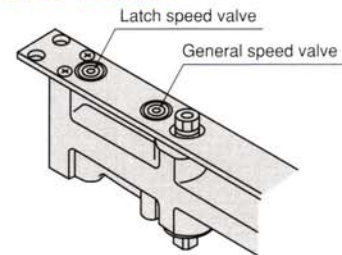
### Speed adjustment valve



### ● CO-55,56

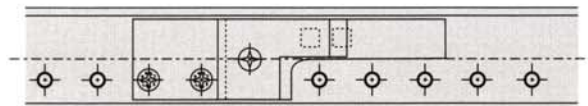


### ● CO-52,53,54



## ■ NEW MECHANICAL BACKCHECK FUNCTION

Available for the CO-52, 53 and 54 models, the new mechanical backcheck (cushion check) function features setting and adjustment in the guide rail. The cushioned rubber absorbs the power of the door in the event of it violently swinging open, as in the case of high winds or public misuse. The backcheck facility reduces the possibility of door damage and is particularly important in public buildings, schools and hospitals where the protection of people and property is paramount.





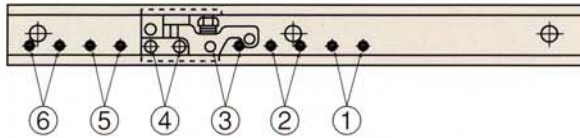
# CLOSERS

## ADJUSTABLE DOOR STOP / HOLD OPEN / BACKCHECK ANGLE / HOLD OPEN FORCE

By positioning the hold open mechanism or mechanical backcheck at different positions in the guide rail the door stop angle, hold open angle and backcheck angle are adjustable as required. The hold open force may be increased or decreased by means of the adjustment nut in the hold open mechanism.

### Adjustment of door stop/hold open/backcheck angle

Door stop/Hold open/Backcheck angle are adjustable by the positioning of the hold open mechanism and mechanical backcheck device as shown in the illustration below.

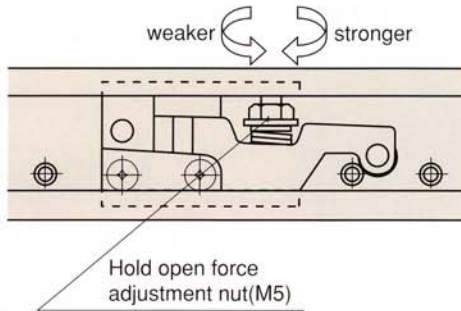


This illustration shows the hold open mechanism at position ④. Please see installation drawings for degree of opening details on each application.

### Adjustment of hold open force

Hold open force is adjustable by the hold open force adjustment nut.

Model	Adjustable range(lbs•30")
CO-152	0~10.4
CO-153	0~ 9.0
CO-154	0~ 7.8
CO-155	0~10.7
CO-156	0~ 4.3



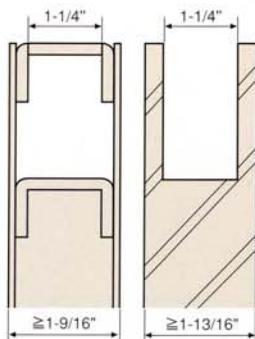
## MODEL CHART

MODEL NUMBER			MAX DOOR WIDTH (FEET,INCH)		DOOR THICKNESS				BODY THICKNESS
WITHOUT HOLD-OPEN	WITH HOLD-OPEN	WITH MECHANICAL BACKCHECK	INTERIOR	EXTERIOR	STEEL DOOR		WOODEN DOOR		
					STANDARD INSTALLATION	TOP JAMB INSTALLATION	STANDARD INSTALLATION	TOP JAMB INSTALLATION	
CO-52	CO-152	CO-52BC	2'8"	2'6"	1-9/16"	1-1/2"	1-3/4"	1-11/16"	1-7/32"
CO-53	CO-153	CO-53BC	3'2"	2'6"	1-3/4"		2"		1-13/32"
CO-54	CO-154	CO-54BC	3'8"	3'0"	2-3/8"		2-3/8"		2-9/16"
CO-55R/CO-55L	CO-155R/CO-155L	-	4'0"	3'6"					1-7/8"
CO-56R/CO-56L	CO-156R/CO-156L	-	5'0"	4'0"					

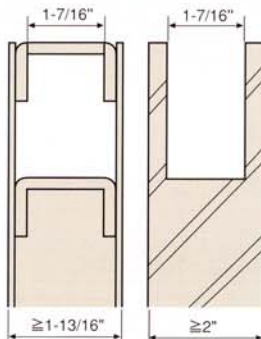
Note:Hydraulic backcheck function is standard function for CO-55 & 56.

### Door cut dimension

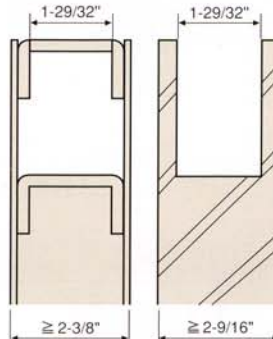
CO-52 / 152 / 52BC



CO-53 / 54 / 153 / 154 / 53BC / 54BC

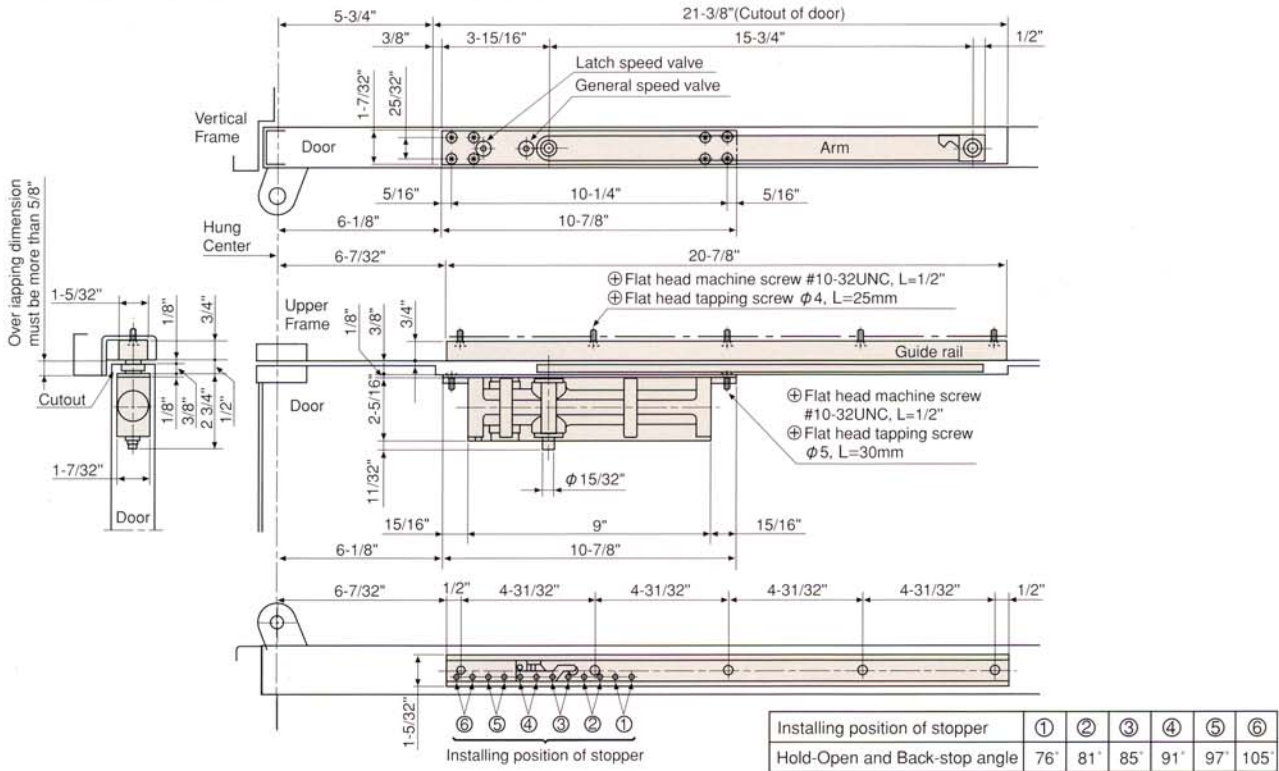


CO-55 / 56 / 155 / 156

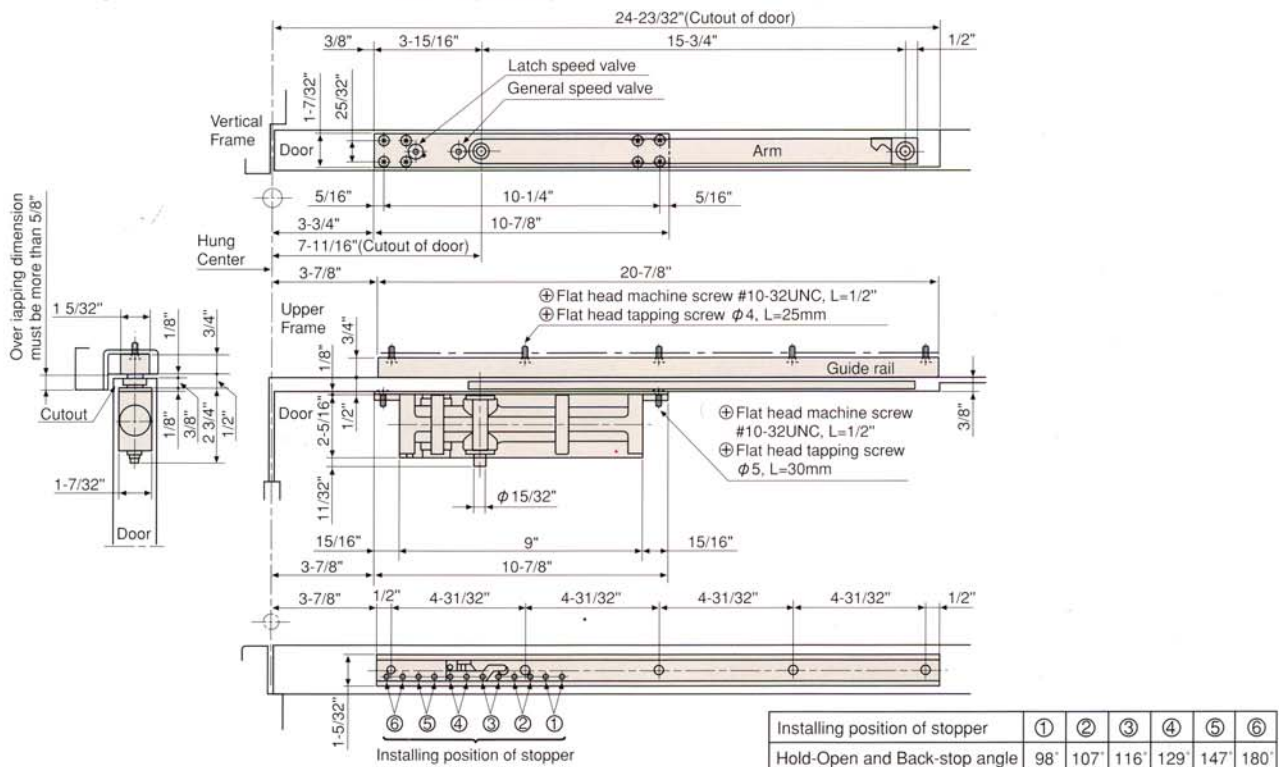


# Drawing for CO-52/152

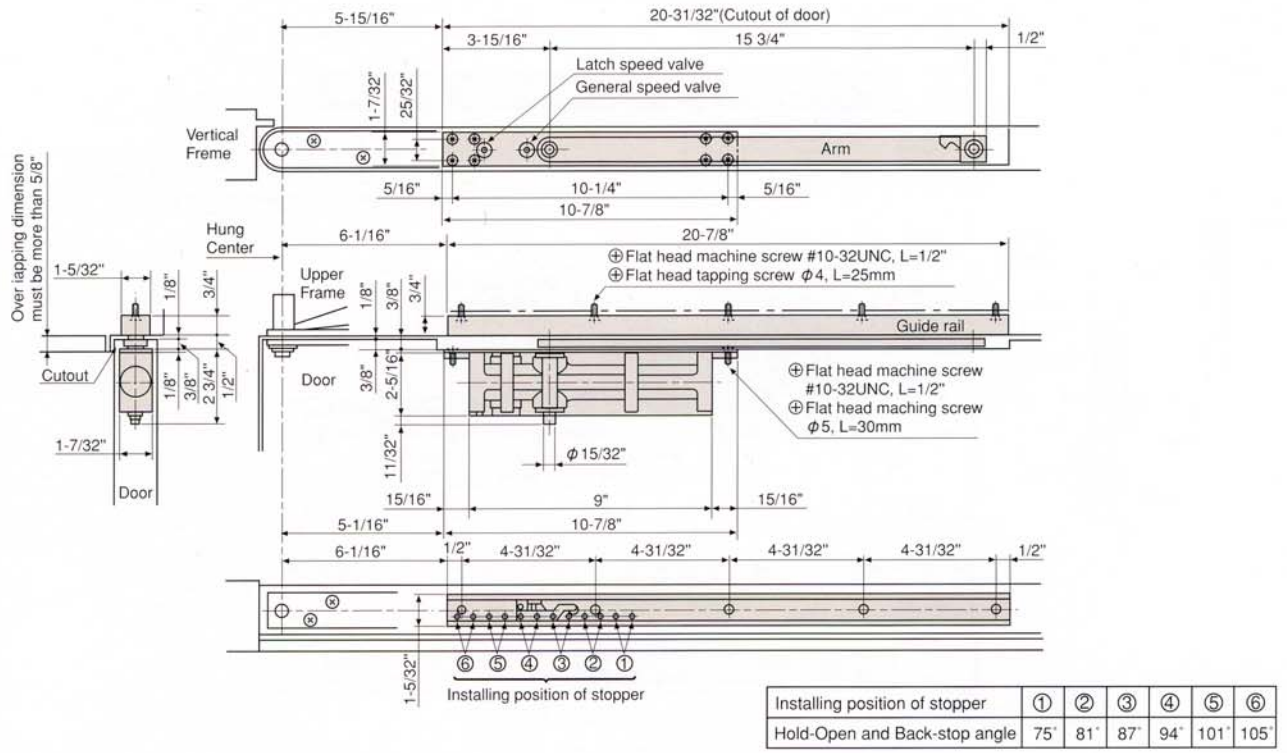
## Offset hung standard installation(105° Opening)



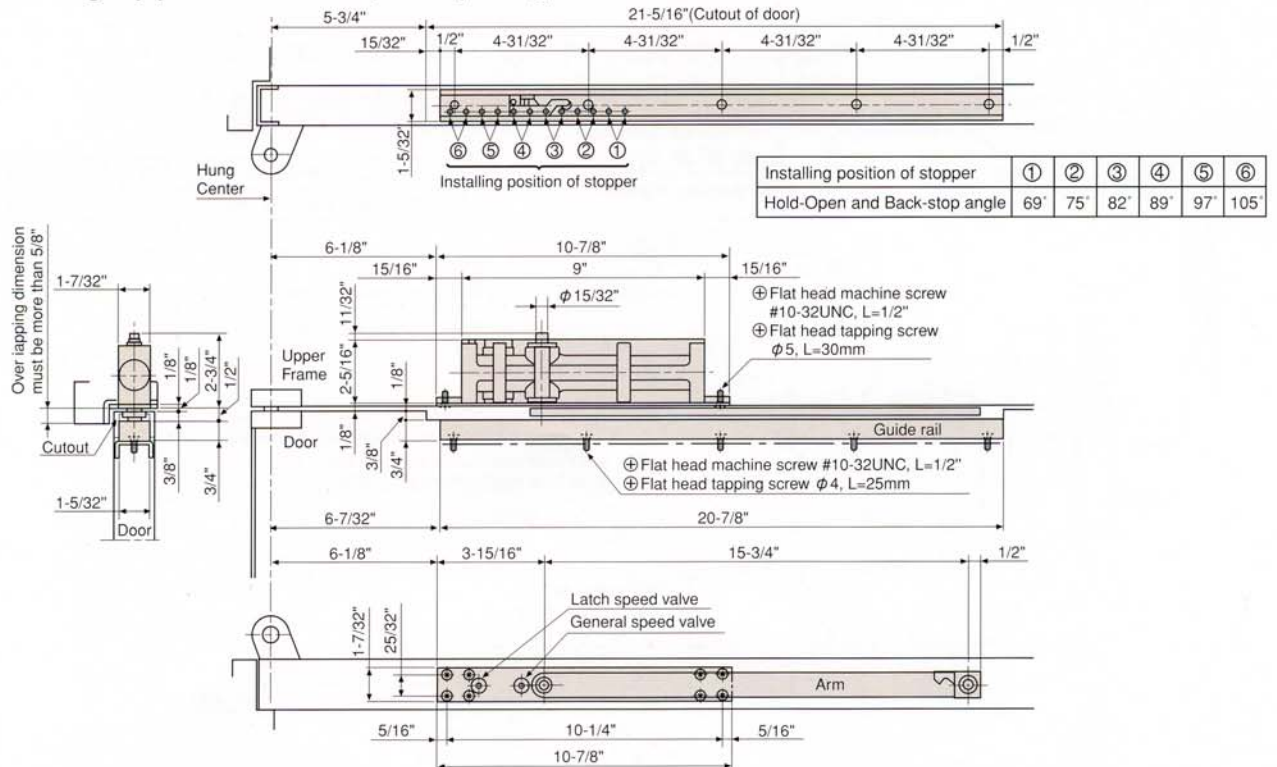
## Offset hung standard installation(180° Opening)



### Offset hung standard installation(105° Opening)



### Offset hung top jamb installation(105° Opening)

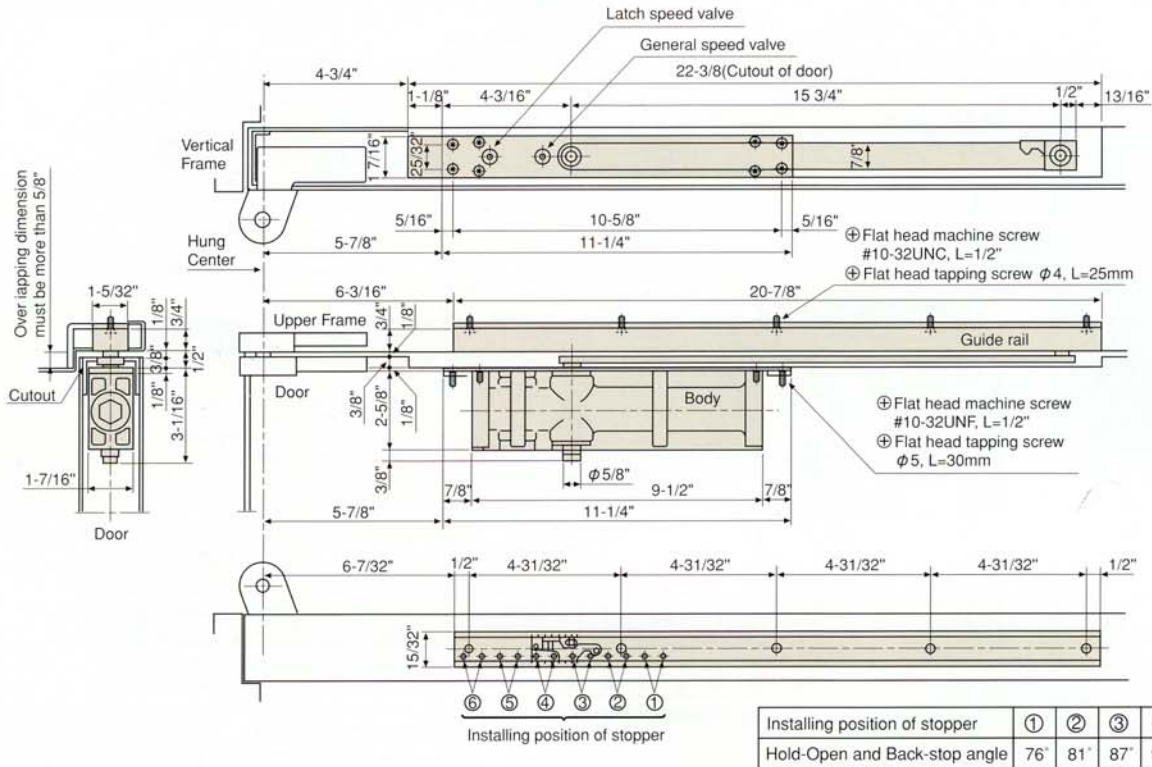




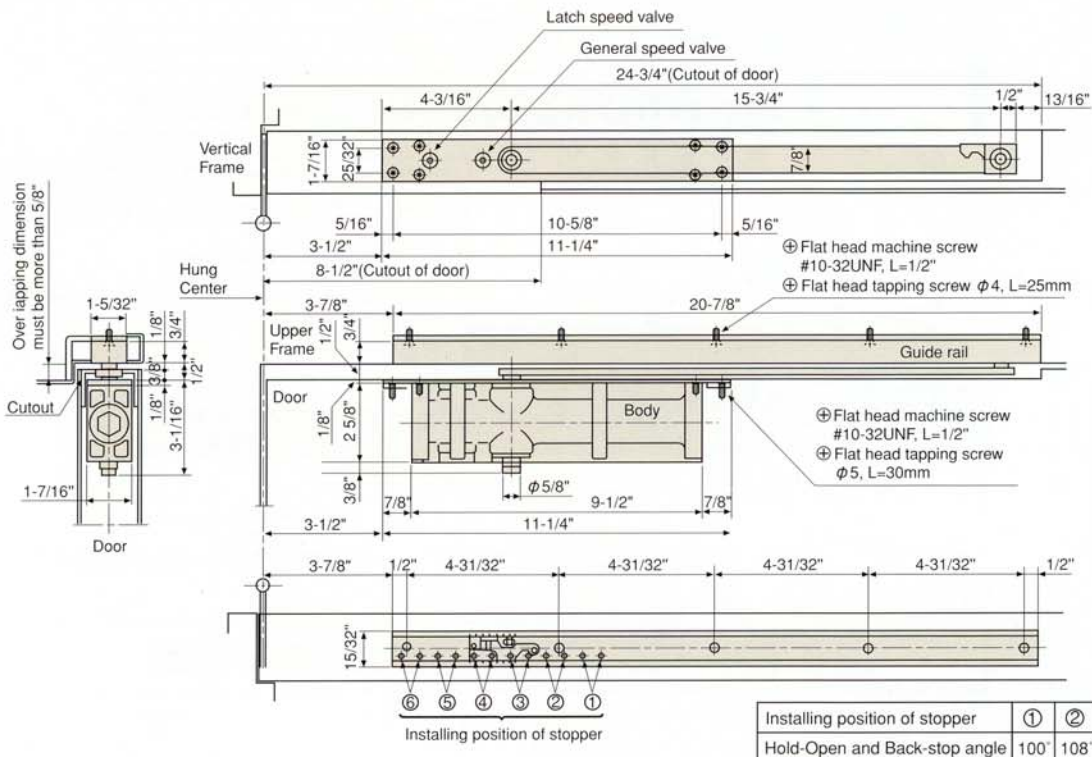


# Drawing for CO-53/54/153/154

## Offset hung standard installation(105° Opening)

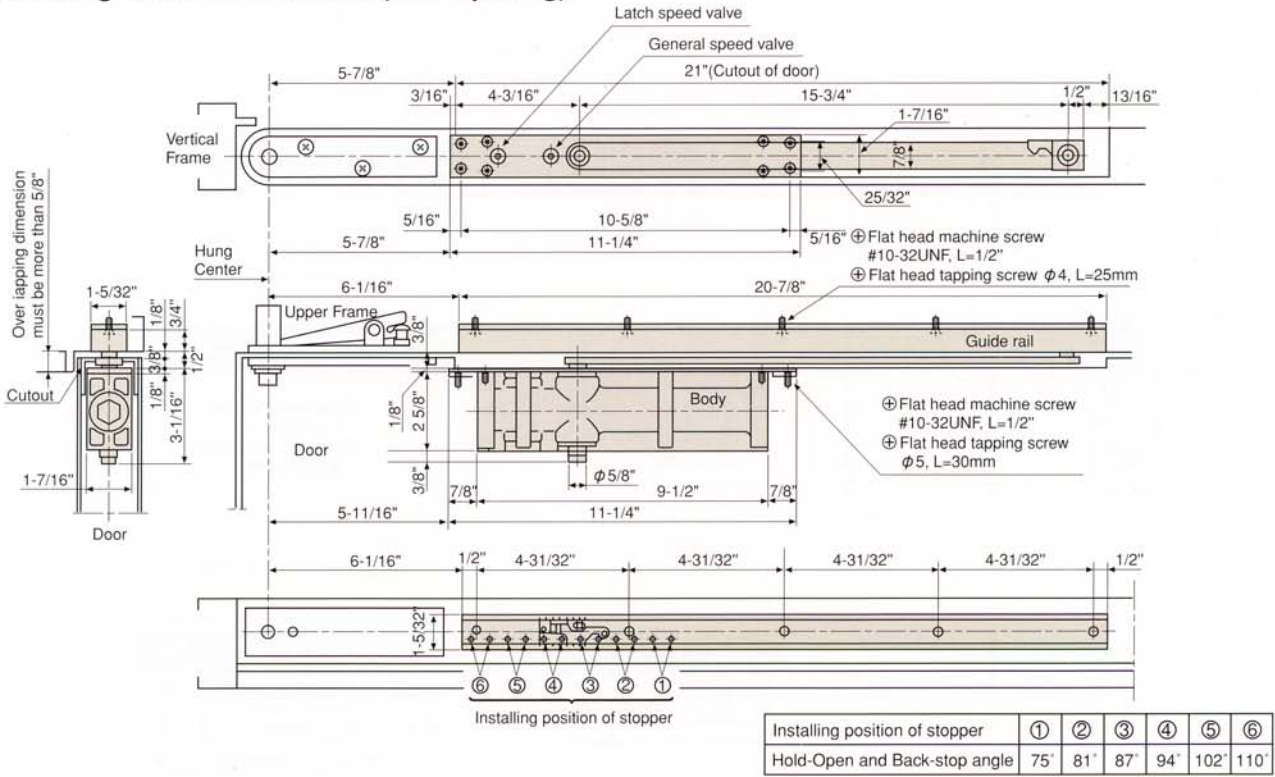


## Offset hung standard installation(180° Opening)

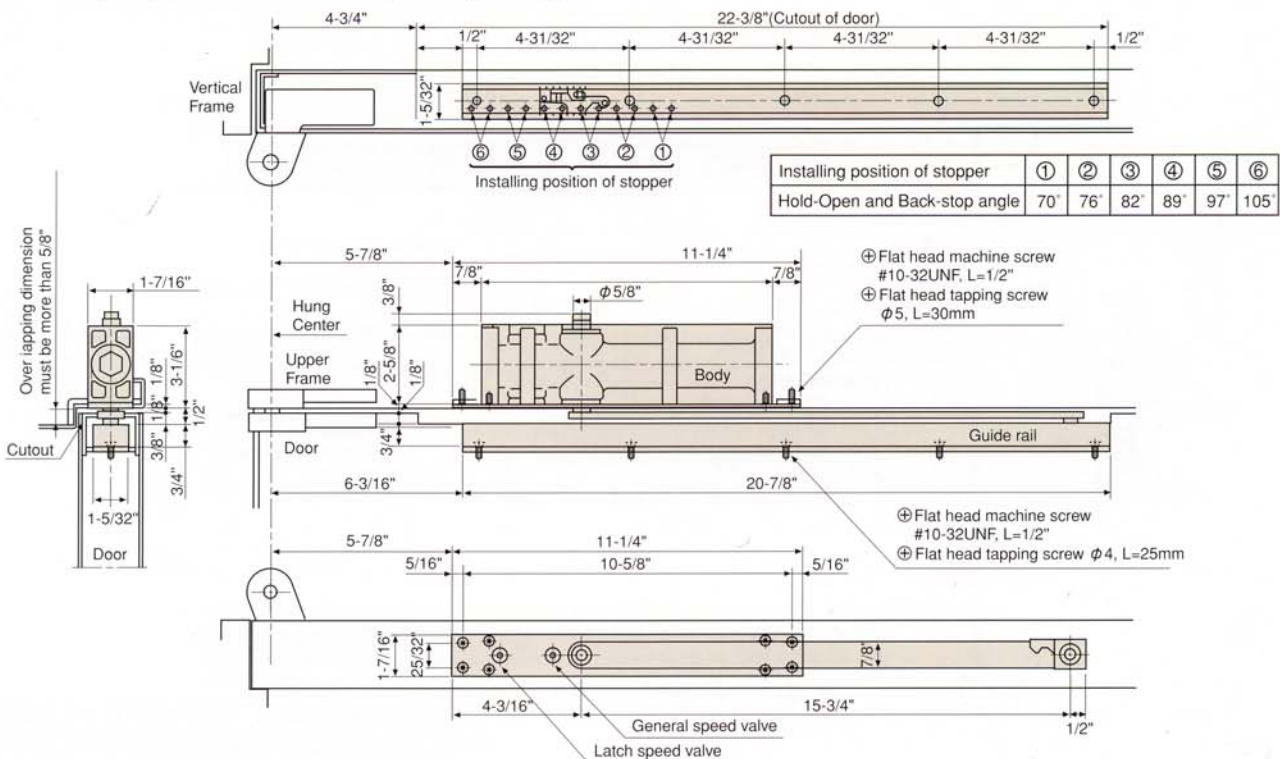


# Drawing for CO-53/54/153/154

## Offset hung standard installation(110° Opening)

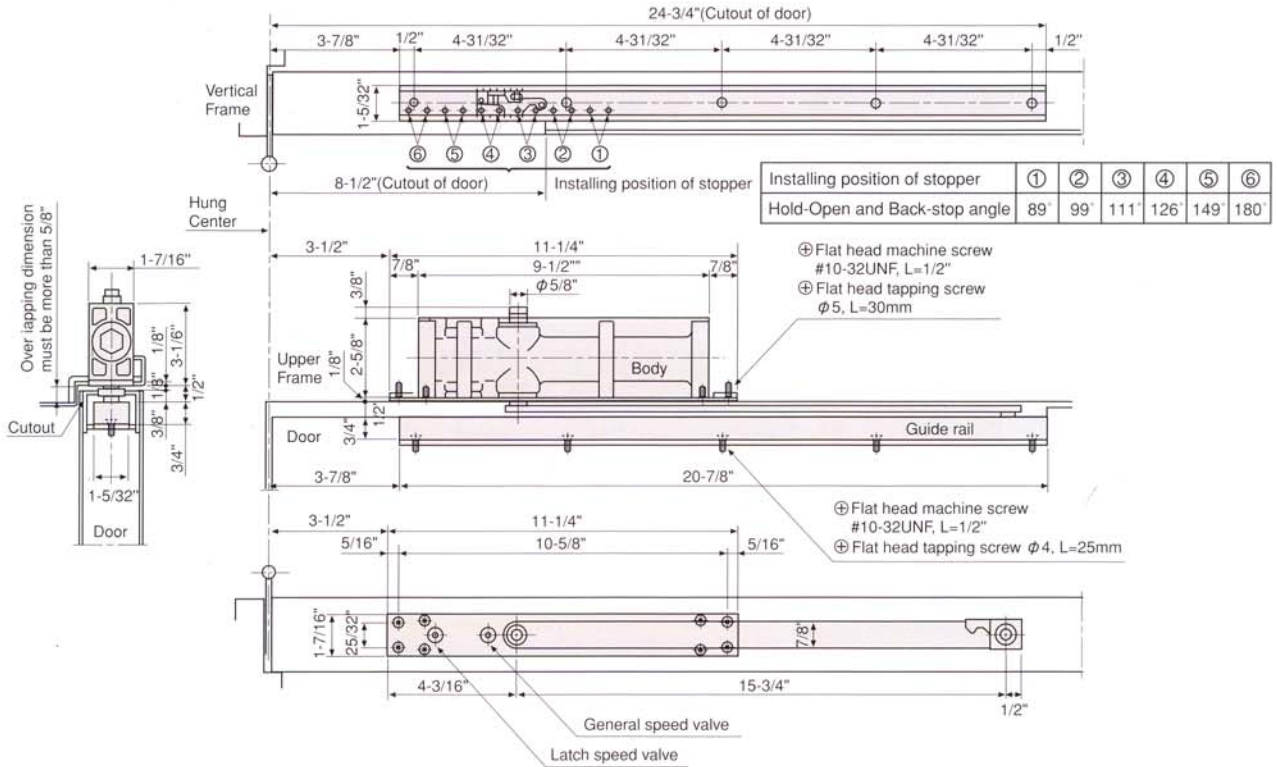


## Offset hung top jamb installation(105° Opening)

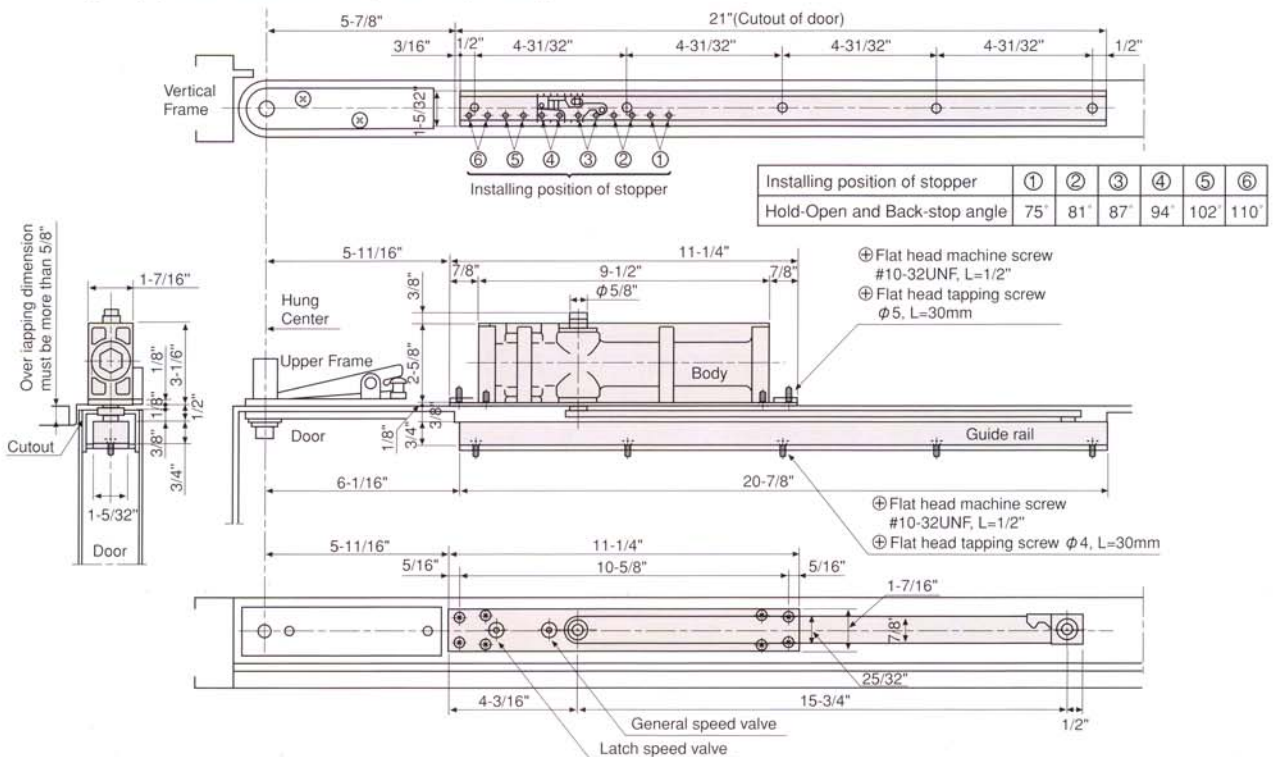




### Offset hung top jamb installation(180° Opening)

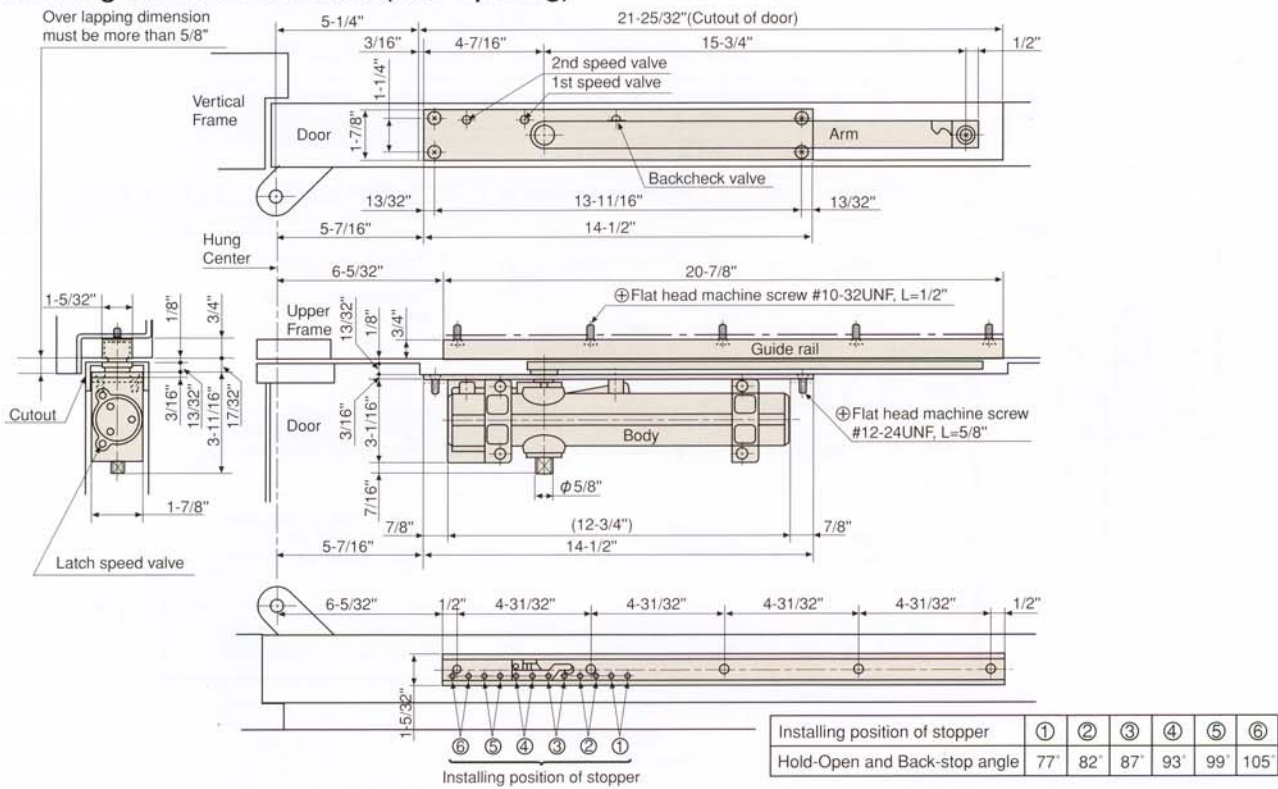


### Offset hung top jamb installation(110° Opening)

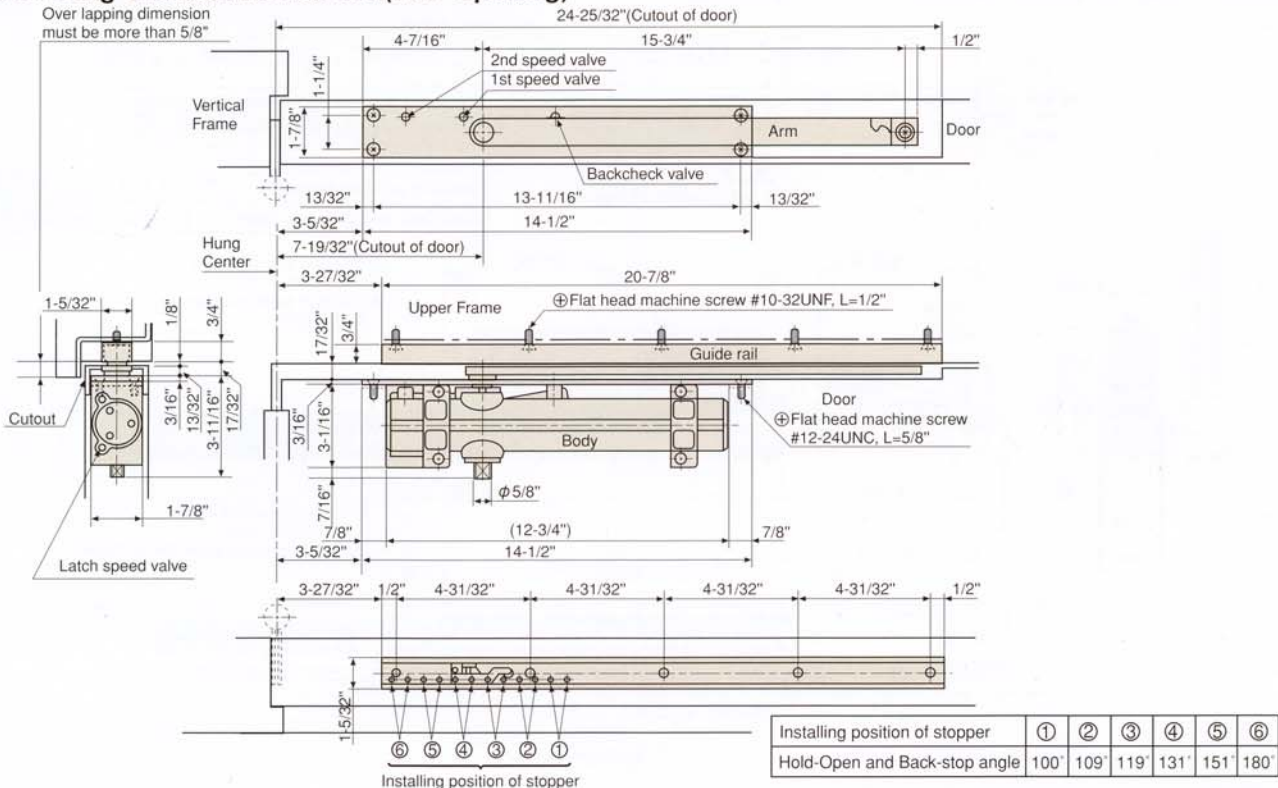


# Drawing for CO-55/56/155/156

## Offset hung standard installation(105° Opening)

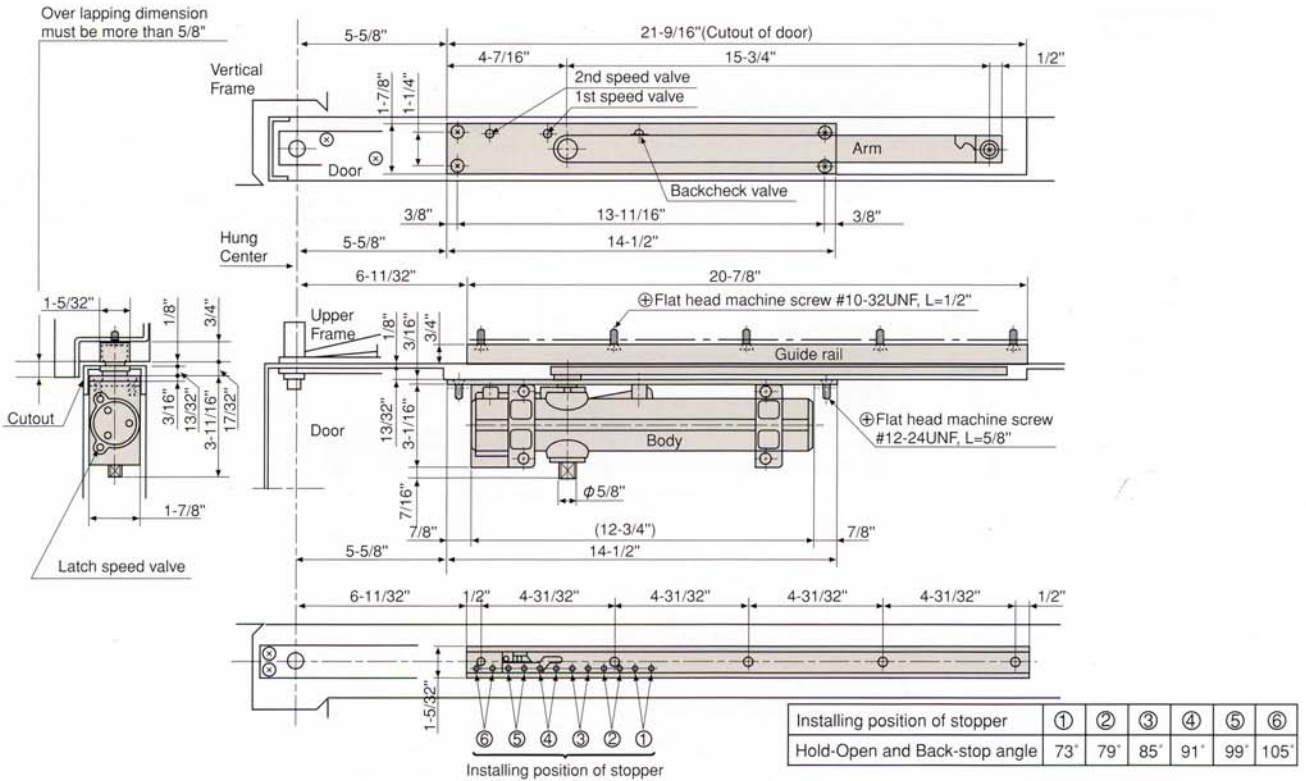


## Offset hung standard installation(180° Opening)

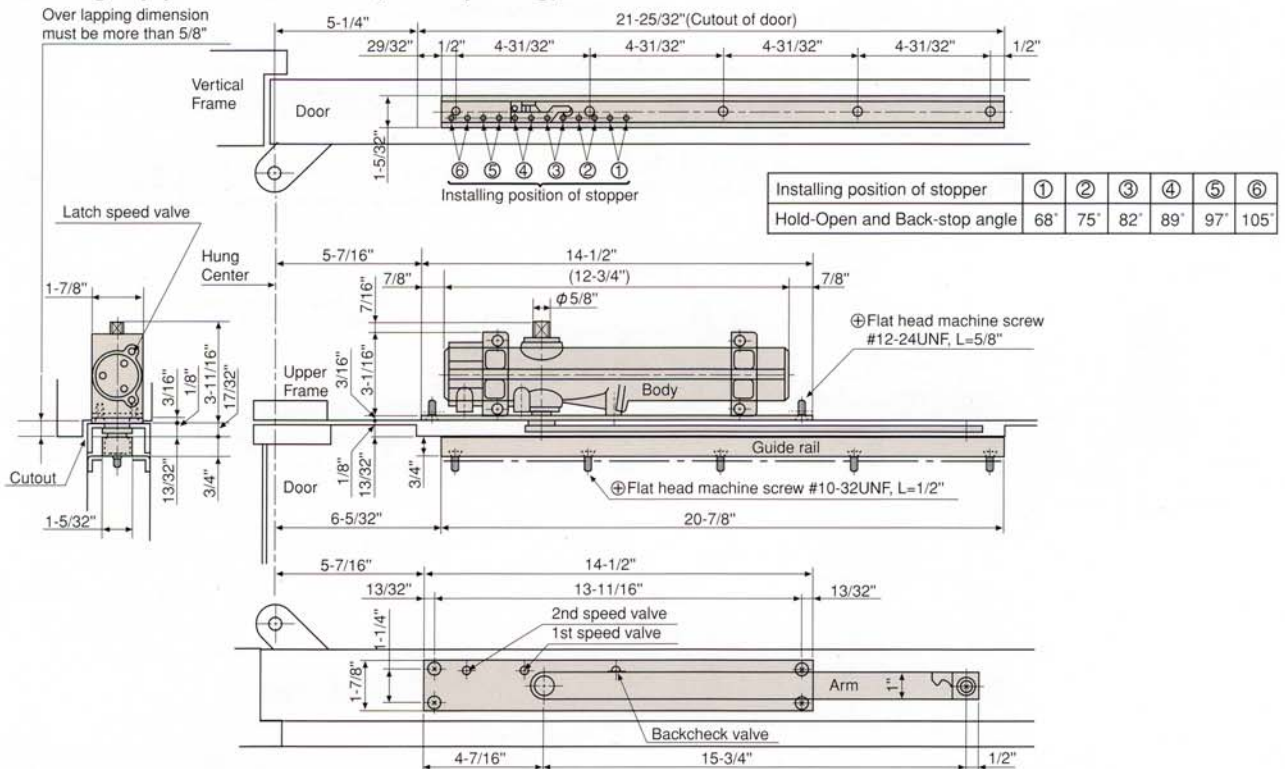




### Center hung standard installation(105° Opening)

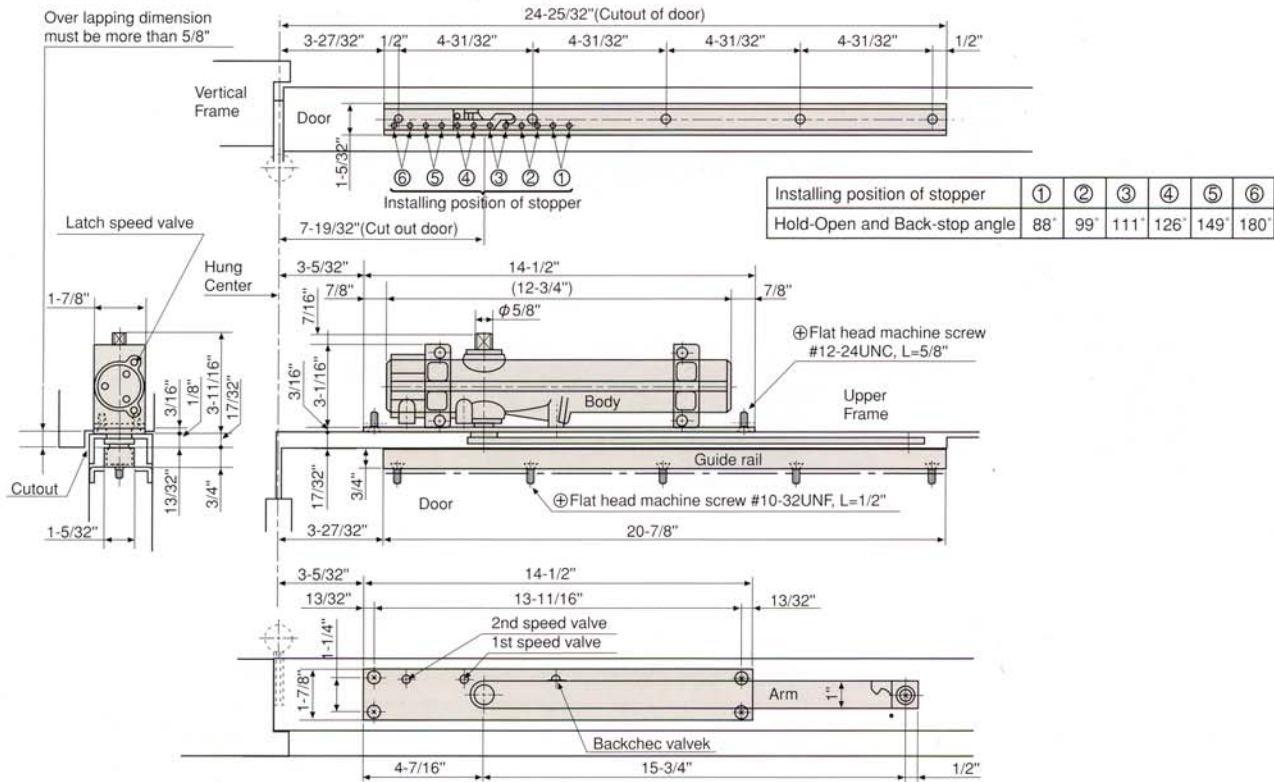


### Offset hung top jamb installation(105° Opening)



# Drawing for CO-55/56/155/156

## Offset hung top jamb installation(180° Opening)



## Center hung top jamb installation(105° Opening)

