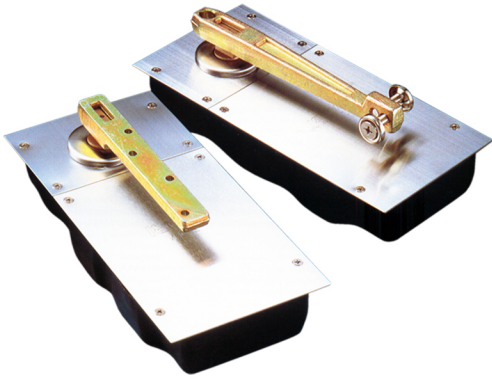
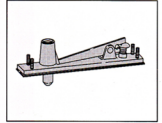
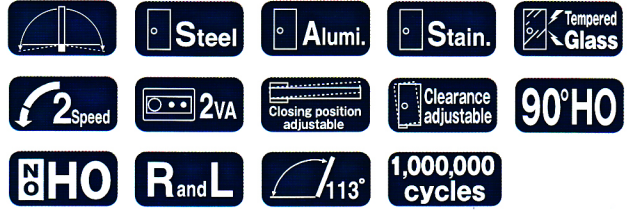


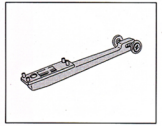
# Floor Hinge 200 RYOBI



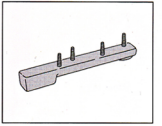
REGISTERED TO  
ISO 9002  
CERTIFICATE  
NO. A5324



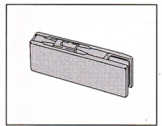
■ Pivot set



■ S-ARM SET -- Suitable for Steel, Stainless, and Aluminium doors.

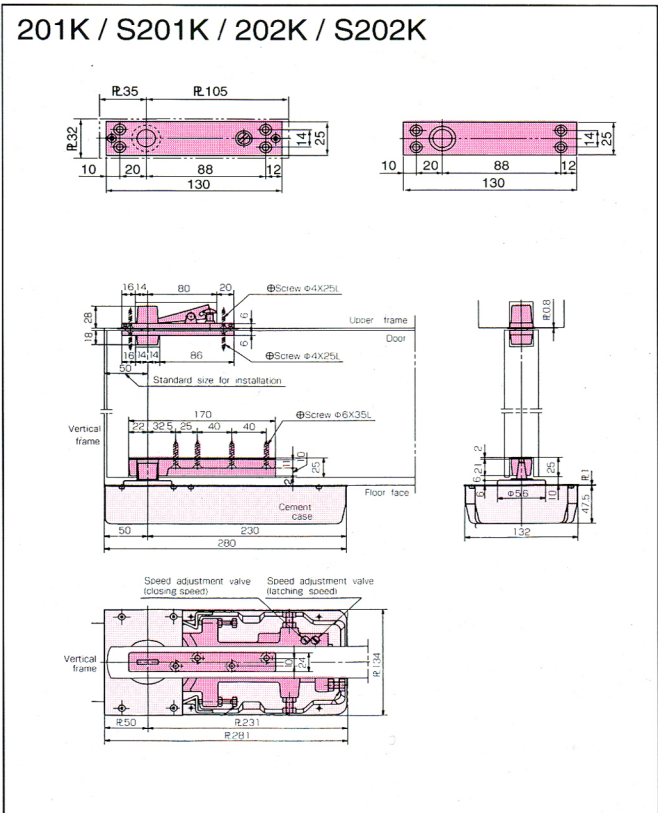
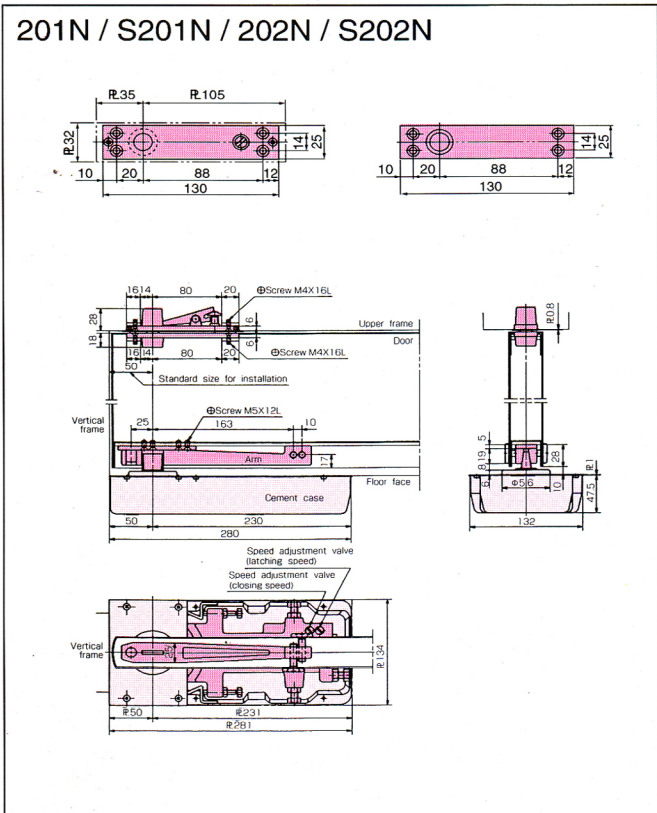


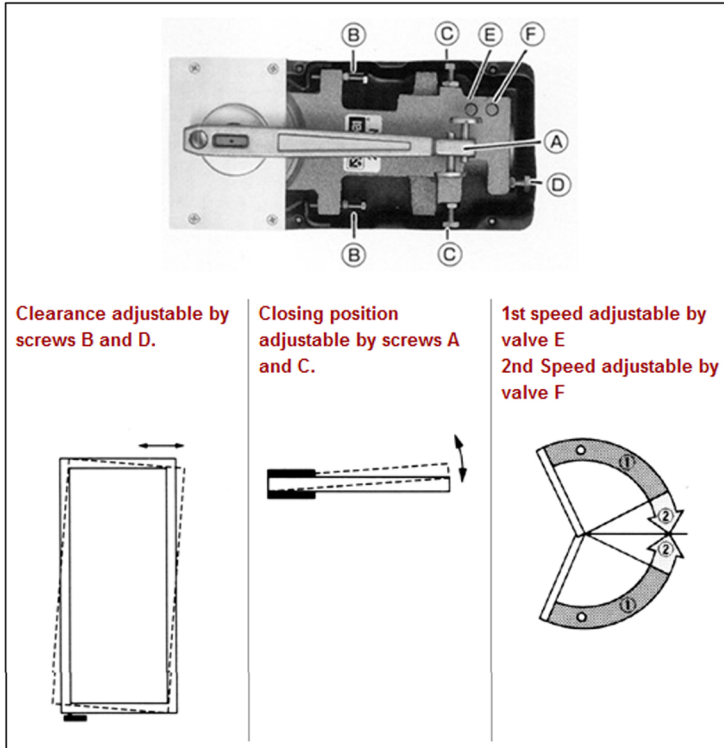
■ K-ARM SET -- Suitable for Steel, Stainless, Wooden, and Aluminium doors.



■ PATCH FITTING -- Necessary for the installation to tempered glass door.

Body Type	201				202				203							
■ Max. Door Width	900 mm				950 mm				950 mm							
■ Max. Door Weight	80 kgs				130 kgs				180 kgs							
■ Model Number	201N	201K	S201N	S201K	202N	202K	S202N	S202K	203N	203K	S203N	S203K				
■ 90° Hold Open	--		●		--		●		--		●					
■ Applicable for	<ul style="list-style-type: none"> <li>• Steel Door</li> <li>• Stainless Door</li> <li>• Aluminium Door</li> <li>• Wooden Door</li> <li>• Tempered Glass Door</li> </ul>															
■ Cement Case Dimensions	<ul style="list-style-type: none"> <li>• Length</li> <li>• Width</li> <li>• Height</li> </ul>				280 mm				132 mm				47.5 mm			





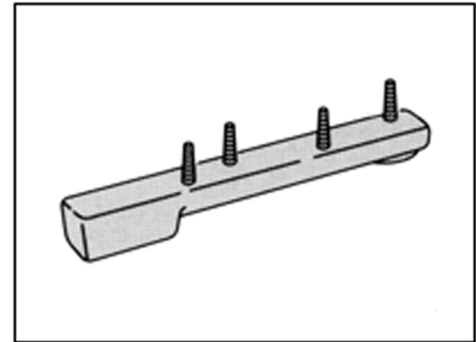
Clearance adjustable by screws B and D.

Closing position adjustable by screws A and C.

1st speed adjustable by valve E  
2nd Speed adjustable by valve F

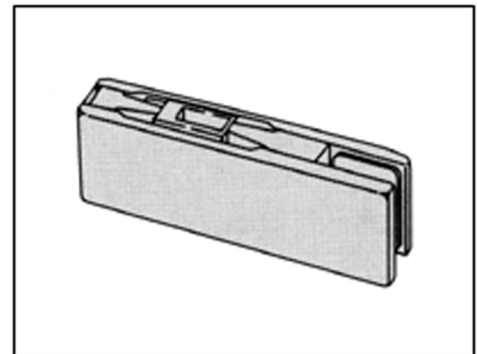
### K-ARM SET

Suitable for Steel, Stainless, and Aluminium doors.



### PATCH FITTING

Necessary for the installation to tempered glass doors.



### QUALITY PRODUCT FROM A WORLD LEADING DIE-CASTING MANUFACTURER

Take a quality product and make it better. That's the secret behind Ryobi's emergence as one of the world's largest die-casting companies. And why you can depend on Ryobi floor hinges for years of lasting service. Built to precise tolerances and fashioned from high tensile steel, all Ryobi floor hinges have passed some of the most rigid quality assurance test ever devised.

### LOW COST!

The best balance of quality and price.  
One of the best seller floor hinges in the world.  
Low inventory cost to meet most application by stream lined product line.  
Trouble-free quality.

### QUALITY ASSURED!

Higher opening/closing efficiency by precise machined ball bearing and special hart-cam mechanism.  
Outstanding durability, 1,000,000 cycles tested.  
For all temperatures with using -40°C fluid point oil.

### EASIEST INSTALLATION AND ADJUSTMENT!

Thin profile construction, 47.5mm depth.  
Two types arm to suit for various door shape.  
Adjustable door position.  
Adjustable clearance between jamb and door.  
Closing speed and Latching speed adjustable independently.

### UNIVERSAL USE!

Up to 180 kgs door for most doors.  
For all doors, aluminum, steel, wooden, and tempered glass door.  
Universal non-handed, and double actions.  
Widest variations accessories to fit most door sets.  
90° Hold open available.